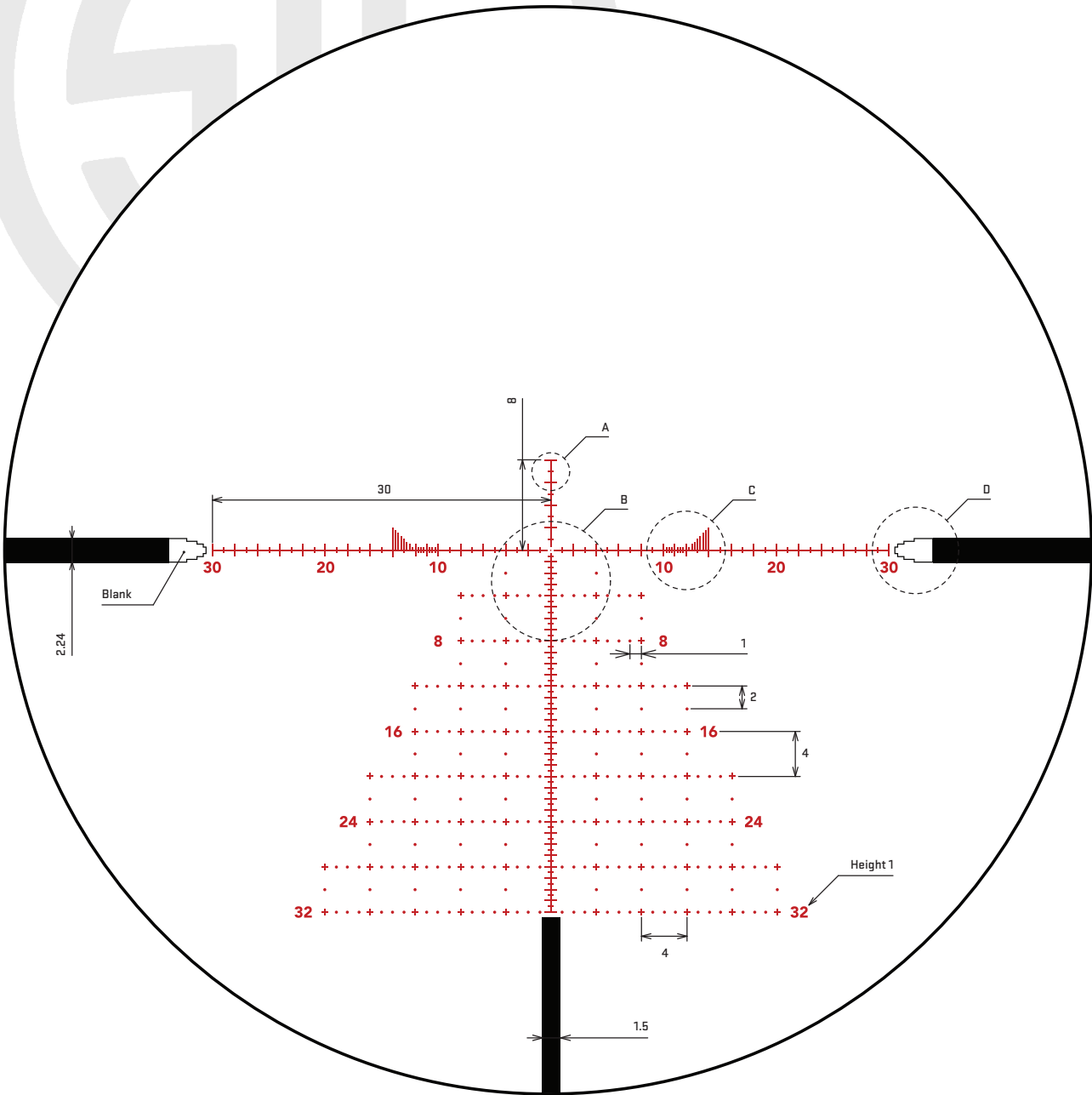




ELECTRO-OPTICS  
**RETICLES**

**TANGO6** 5-30x56mm  
DEV-L MOA RETICLE

**SPECS**



**TANGO6** 5-30x56mm FFP  
FIRST FOCAL PLANE  
**DEV-L MOA RETICLE**

**DIMENSION: MOA**

**RED PATTERN IS ILLUMINATED**

**BLACK PATTERN IS NOT ILLUMINATED**

**SIG SAUER, INC**  
 72 Pease Boulevard  
 Newington, NH 03801 USA

19861 SW 95th Avenue  
 Portland, OR 97062

**SIG SAUER**  
 when it counts



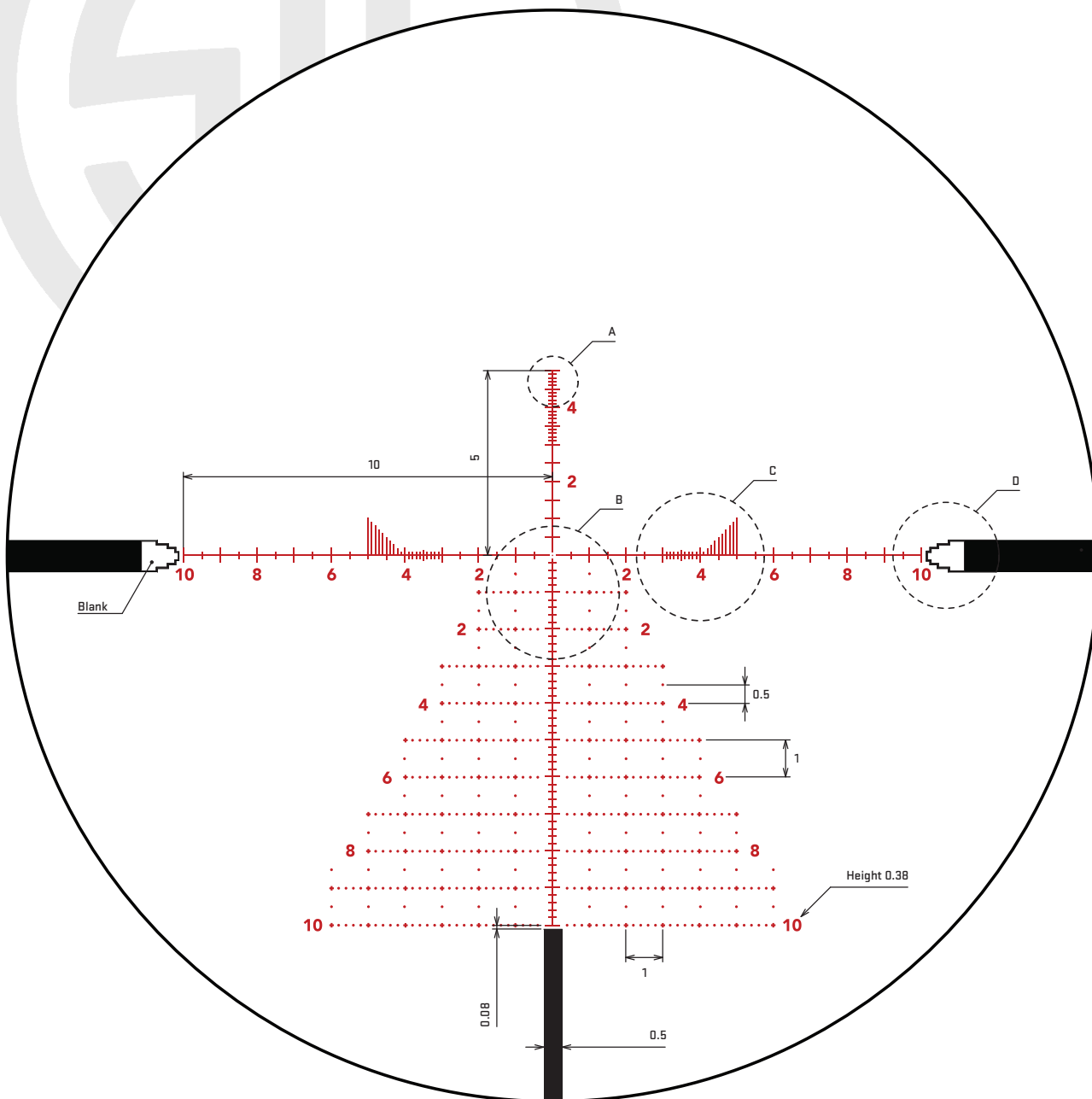


ELECTRO-OPTICS  
**RETICLES**

**TANGO6** 5-30x56mm  
DEV-L MRAD RETICLE



**SPECS**



**TANGO6** 5-30x56mm **FFP**  
**DEV-L MRAD RETICLE**

**DIMENSION: MRAD**

**RED PATTERN IS ILLUMINATED**

**BLACK PATTERN IS NOT ILLUMINATED**

**SIG SAUER, INC**  
 72 Pease Boulevard  
 Newington, NH 03801 USA

19861 SW 95th Avenue  
 Portland, OR 97062

**SIG SAUER**  
 when it counts

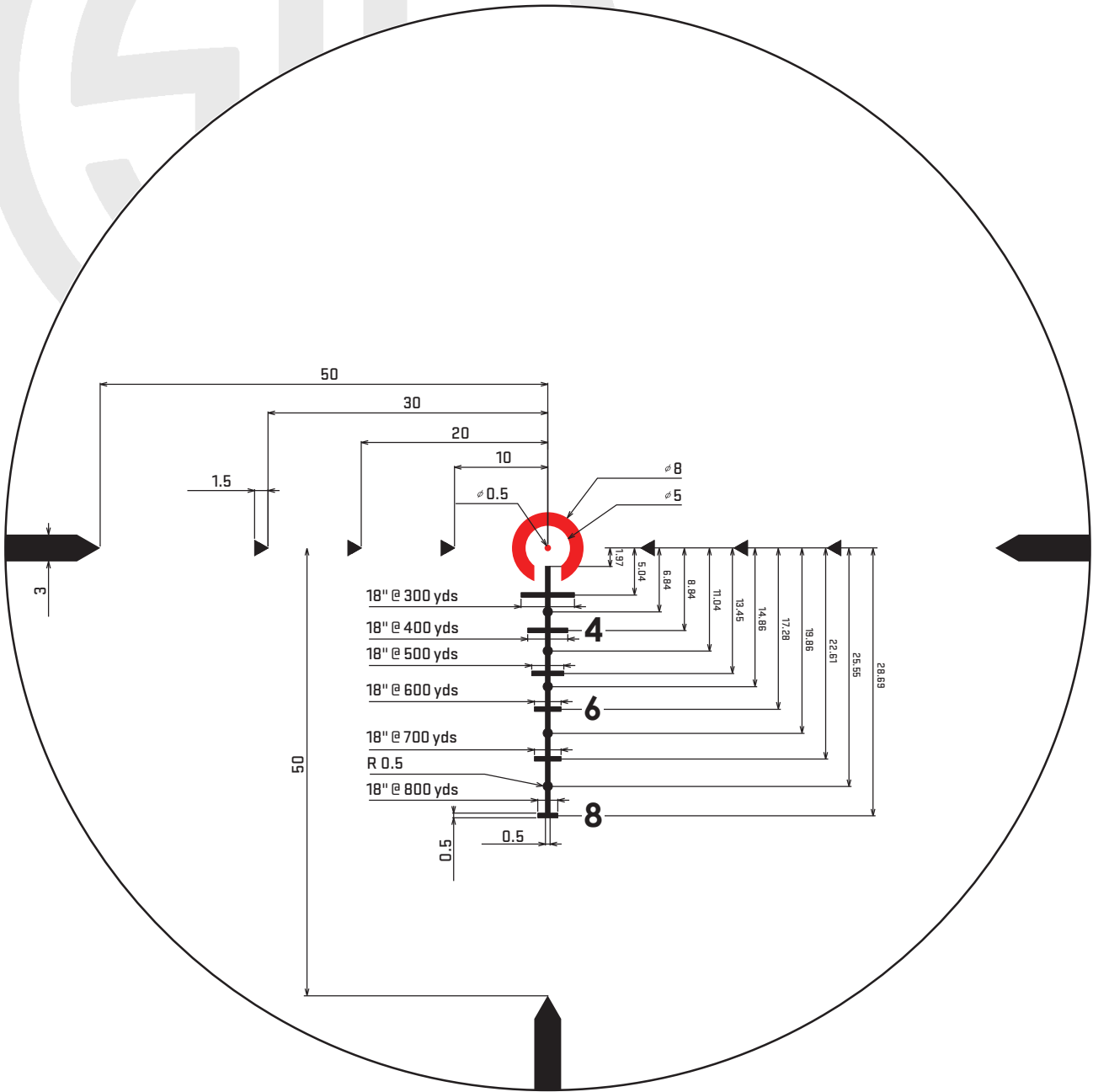




ELECTRO-OPTICS  
**RETICLES**

**TANGO6** 1-6x24mm **FFP**  
5.56-7.62 HORSESHOE DOT

**SPECS**



# TANGO6 1-6x24mm **FFP** 5.56-7.62 HORSESHOE DOT

**DIMENSION: MOA**

**RED PATTERN IS ILLUMINATED**

**BLACK PATTERN IS NOT ILLUMINATED**

**SIG SAUER, INC**  
 72 Pease Boulevard  
 Newington, NH 03801 USA

19861 SW 95th Avenue  
 Portland, OR 97062

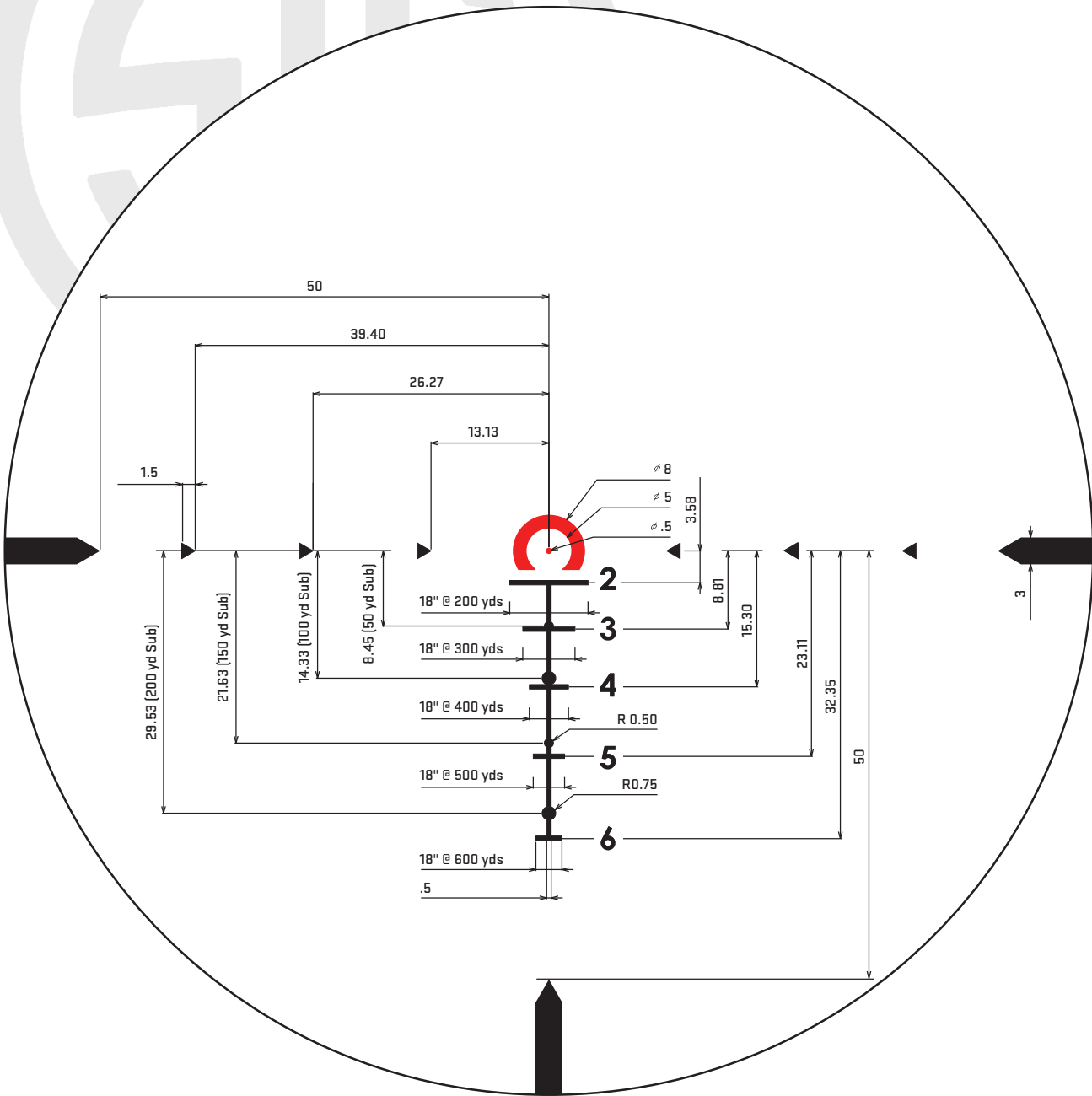
**SIG SAUER**  
 when it counts



ELECTRO-OPTICS  
**RETICLES**

**TANGO6** 1-6x24mm FFP  
300 BLACKOUT HORSESHOE DOT

**SPECS**



# TANGO6 1-6x24mm FFP 300 BLACKOUT HORSESHOE DOT

**DIMENSION: MOA**

**RED PATTERN IS ILLUMINATED**

**BLACK PATTERN IS NOT ILLUMINATED**

**NOTE:** DESIGNED FOR A 16" BARREL, 220 GR SUBSONIC,  
125 GR SUPERSONIC, 100 ZERO WITH SUPERSONIC

**SIG SAUER, INC**

72 Pease Boulevard  
Newington, NH 03801 USA

19861 SW 95th Avenue  
Portland, OR 97062

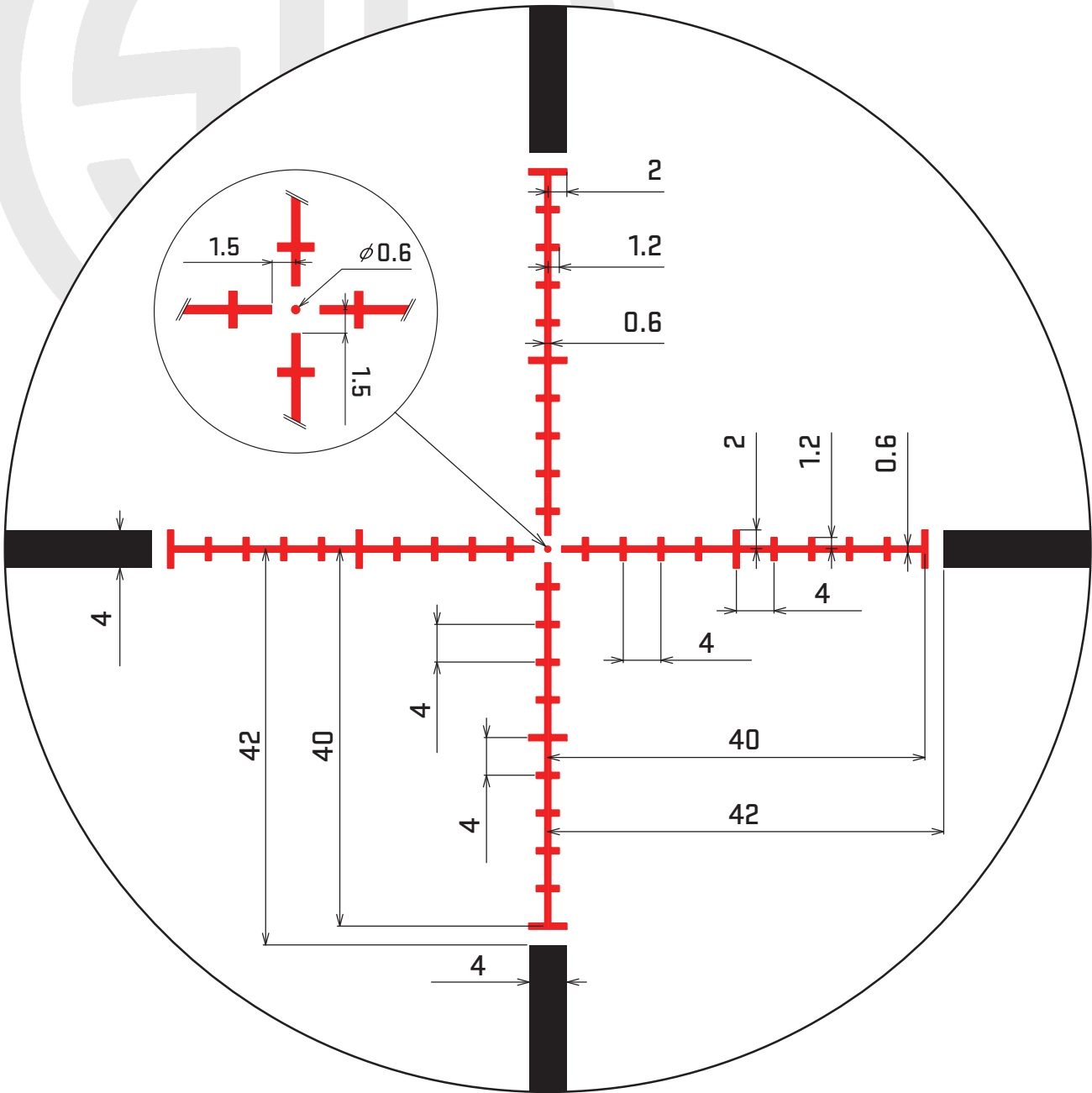
**SIG SAUER**  
when it counts



ELECTRO-OPTICS  
**RETICLES**

**TANGO6** 1-6x24mm **FFP**  
MOA MILLING RETICLE

**SPECS**



**TANGO6** 1-6x24mm **FFP**  
**MOA MILLING RETICLE**

**DIMENSION: MOA**

**RED PATTERN IS ILLUMINATED**

**BLACK PATTERN IS NOT ILLUMINATED**

**SIG SAUER, INC**  
 72 Pease Boulevard  
 Newington, NH 03801 USA

19861 SW 95th Avenue  
 Portland, OR 97062

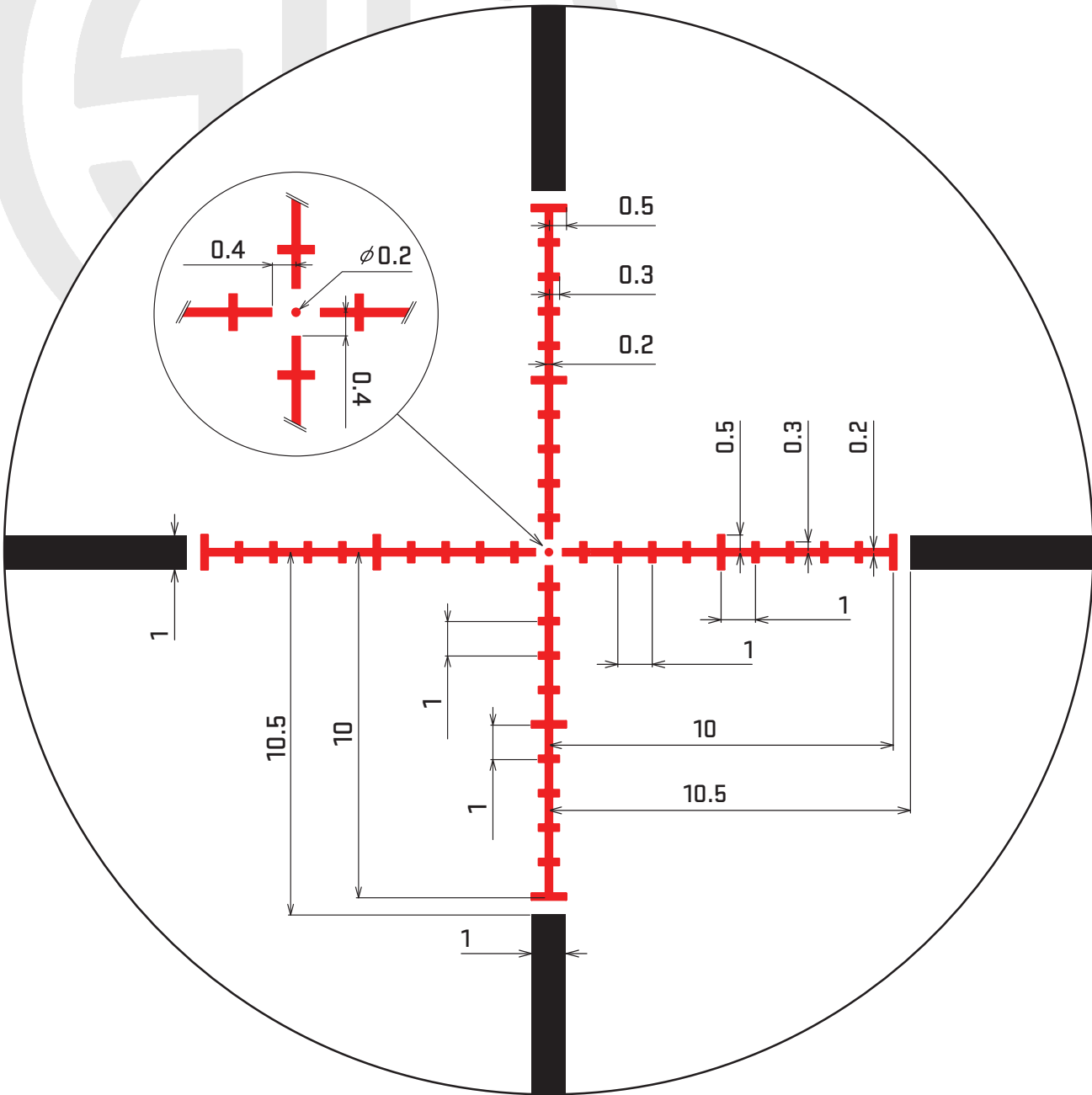
**SIG SAUER**  
 when it counts



ELECTRO-OPTICS  
**RETICLES**

**TANGO6** 1-6x24mm **FFP**  
MRAD MILLING RETICLE

**SPECS**



**TANGO6** 1-6x24mm **FFP**  
**MRAD MILLING RETICLE**

**DIMENSION: MRAD**

**RED PATTERN IS ILLUMINATED**

**BLACK PATTERN IS NOT ILLUMINATED**

**SIG SAUER, INC**

72 Pease Boulevard  
Newington, NH 03801 USA

19861 SW 95th Avenue  
Portland, OR 97062

**SIG SAUER**  
when it counts



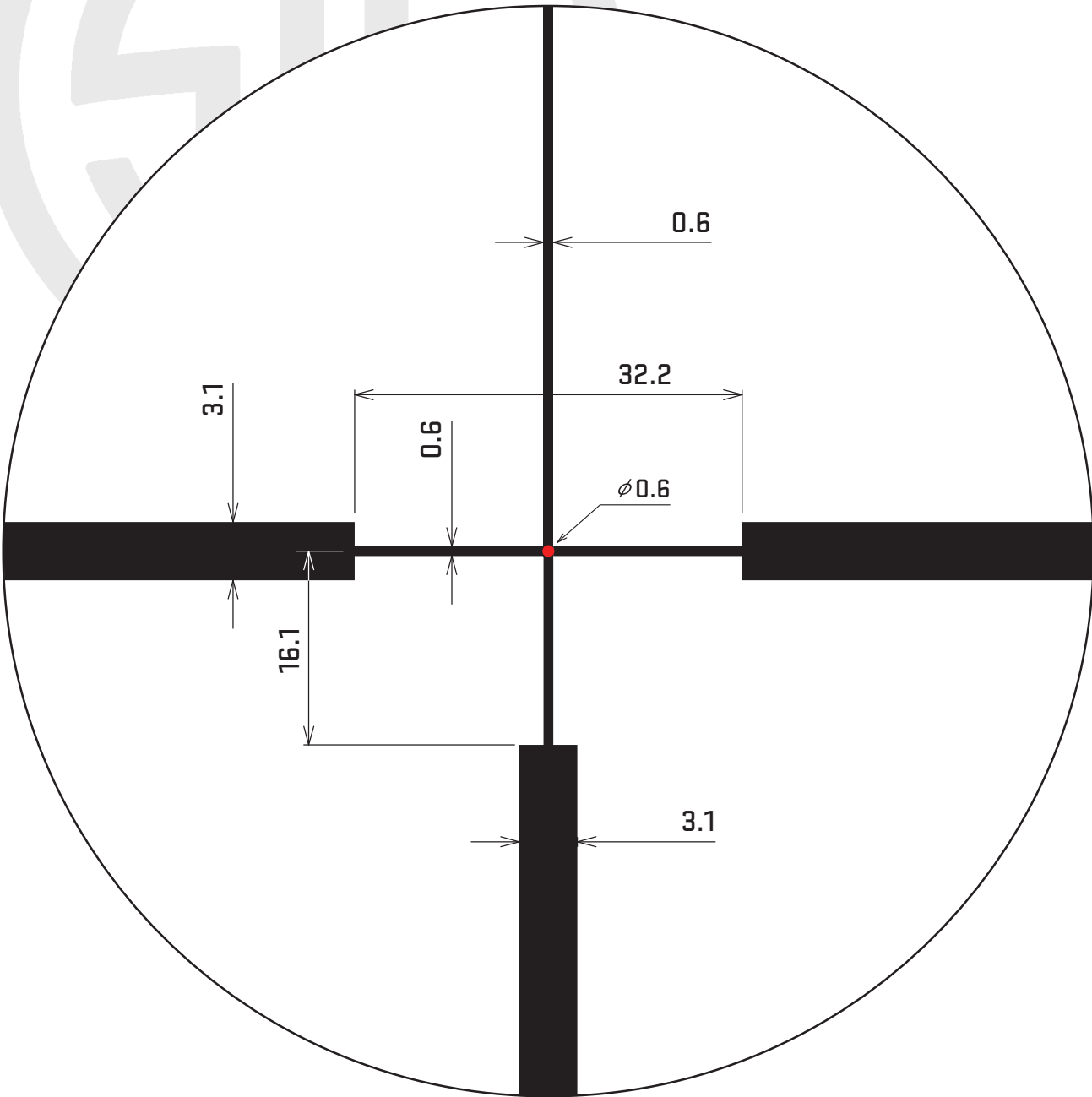




ELECTRO-OPTICS  
**RETICLES**

**TANGO6** 1-6x24mm SFP  
HELLFIRE TRIPLEX

**SPECS**



# **TANGO6** 1-6x24mm SFP **HELLFIRE TRIPLEX RETICLE**

**DIMENSION: MOA ON HIGH POWER**

**RED PATTERN IS ILLUMINATED**

**BLACK PATTERN IS NOT ILLUMINATED**

**SIG SAUER, INC**  
72 Pease Boulevard  
Newington, NH 03801 USA

19861 SW 95th Avenue  
Portland, OR 97062

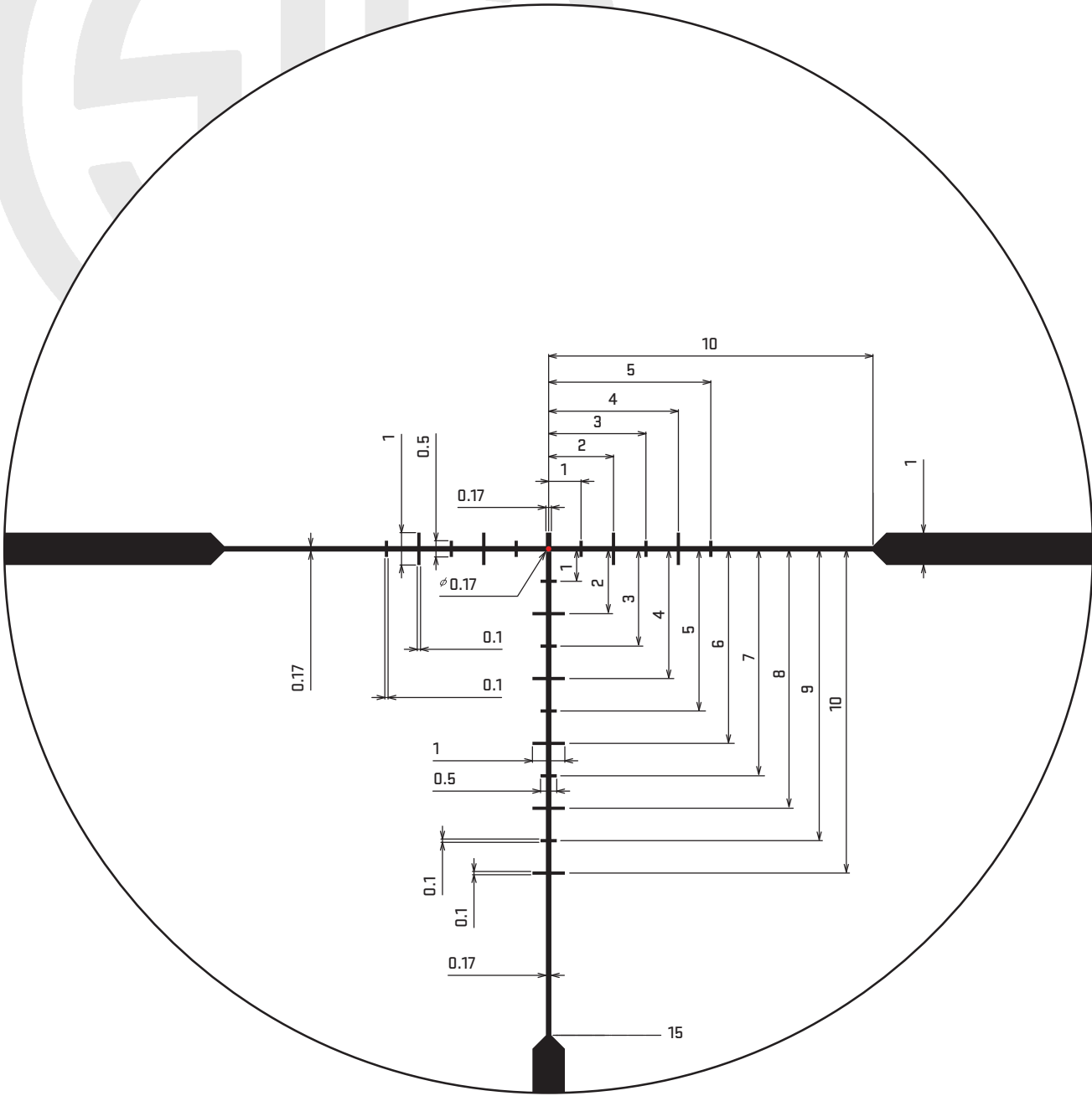
**SIG SAUER**  
when it counts™



ELECTRO-OPTICS  
**RETICLES**

**TANGO6** 1-6x24mm SFP  
HELLFIRE MRAD MILLING RETICLE

**SPECS**



**TANGO6** 1-6x24mm SFP  
**HELLFIRE MRAD  
 MILLING RETICLE**

**DIMENSION: MRAD ON HIGH POWER**

**RED PATTERN IS ILLUMINATED**

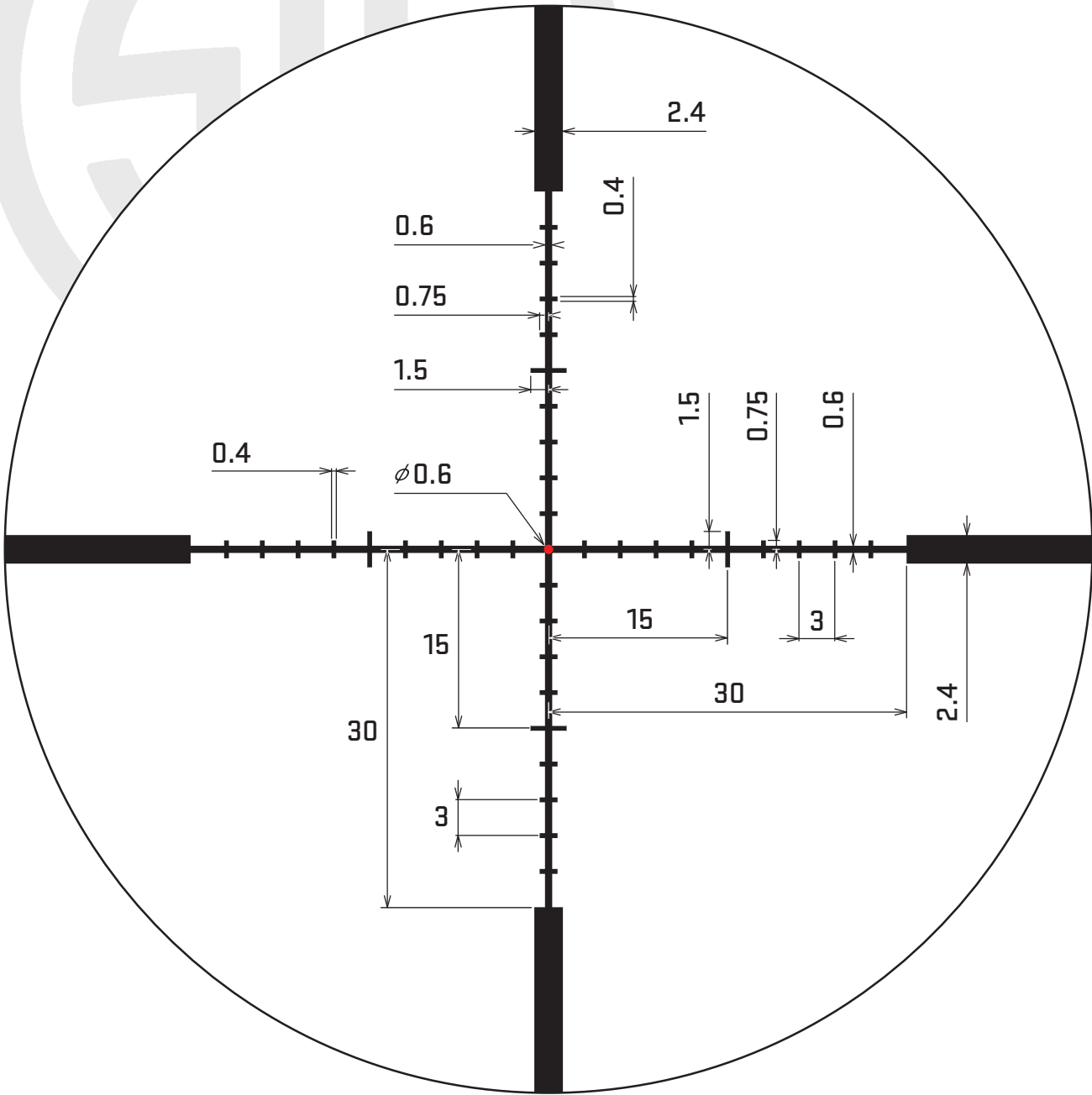
**BLACK PATTERN IS NOT ILLUMINATED**



ELECTRO-OPTICS  
**RETICLES**

**TANGO6** 1-6x24mm SFP  
HELLFIRE MOA MILLING RETICLE

**SPECS**



# TANGO6 1-6x24mm SFP HELLFIRE MOA MILLING RETICLE

**DIMENSION: MOA ON HIGH POWER**

**RED PATTERN IS ILLUMINATED**

**BLACK PATTERN IS NOT ILLUMINATED**

**SIG SAUER, INC**

72 Pease Boulevard  
Newington, NH 03801 USA

19861 SW 95th Avenue  
Portland, OR 97062

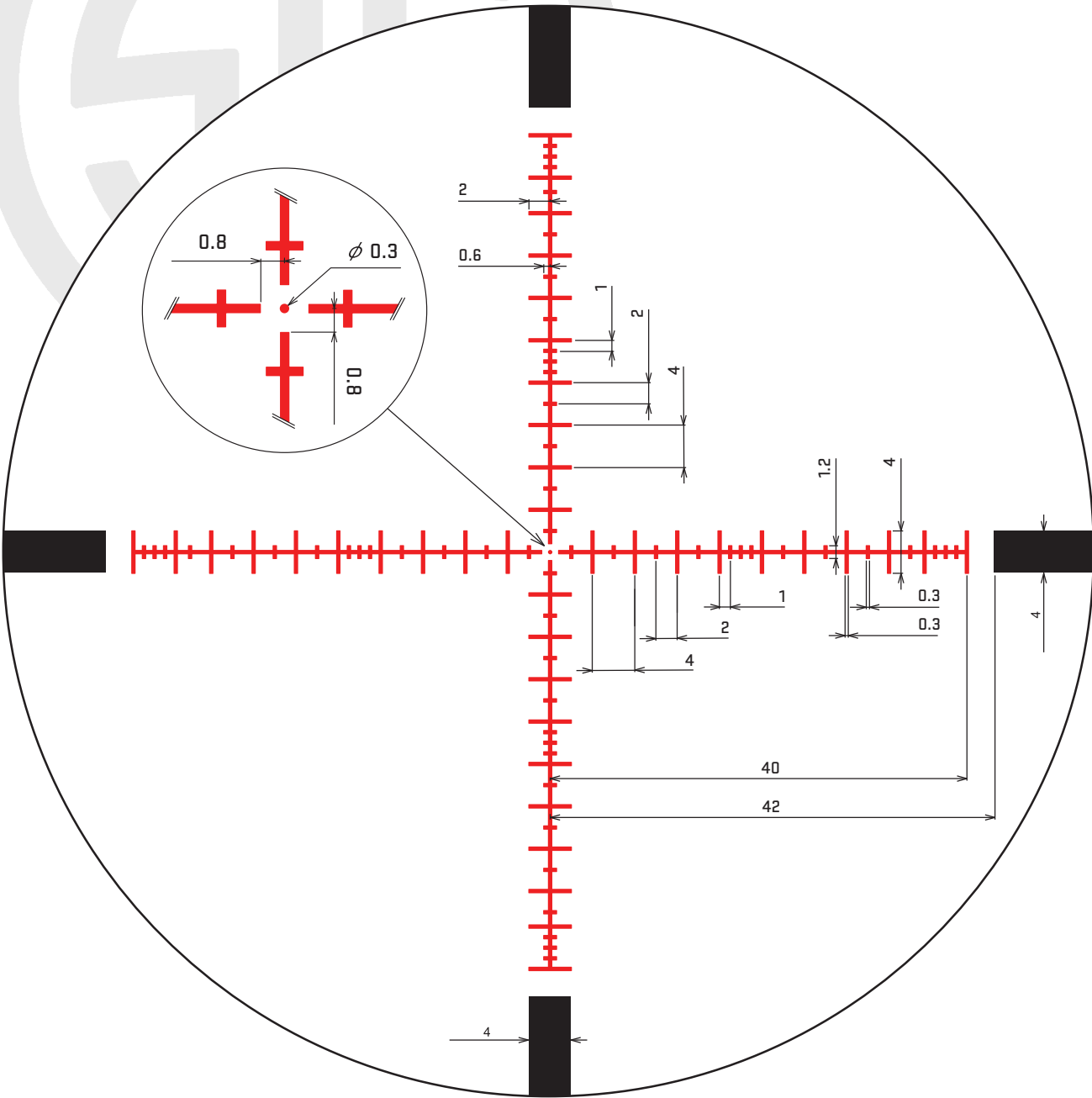
**SIG SAUER**  
when it counts



ELECTRO-OPTICS  
**RETICLES**

**TANGO6** 2-12x40mm **FFP**  
MOA MILLING RETICLE

**SPECS**



**TANGO6** 2-12x40mm **FFP**  
**MOA MILLING RETICLE**

**DIMENSION: MOA**

**RED PATTERN IS ILLUMINATED**

**BLACK PATTERN IS NOT ILLUMINATED**

**SIG SAUER, INC**  
 72 Pease Boulevard  
 Newington, NH 03801 USA

19861 SW 95th Avenue  
 Portland, OR 97062

**SIG SAUER**  
 when it counts

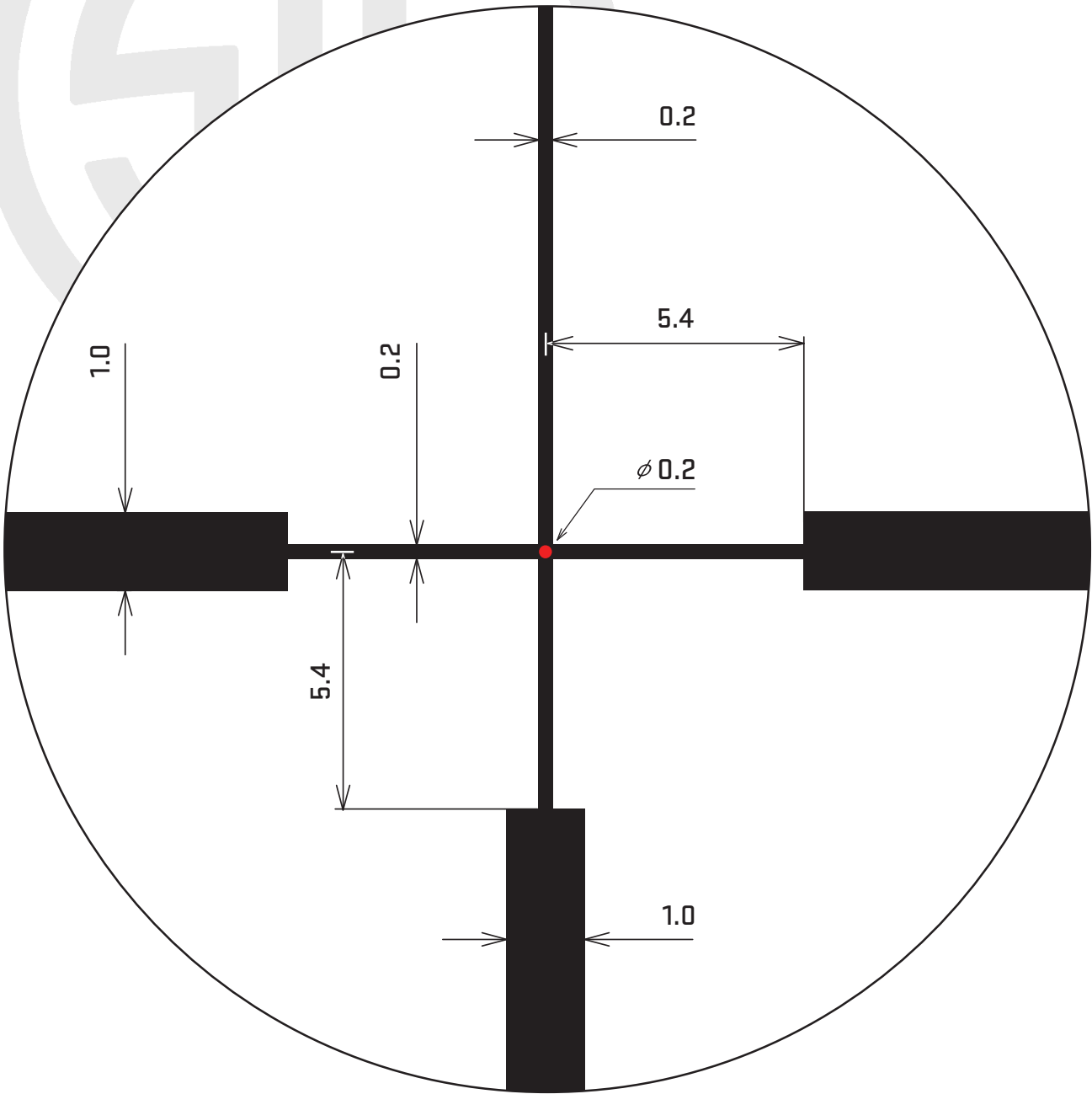




ELECTRO-OPTICS  
**RETICLES**

**TANGO6** 3-18x44mm SFP  
HELLFIRE TRIPLEX RETICLE

**SPECS**



## **TANGO6** 3-18x44mm SFP **HELLFIRE TRIPLEX RETICLE**

**DIMENSION: MOA ON HIGH POWER**

**RED PATTERN IS ILLUMINATED**

**BLACK PATTERN IS NOT ILLUMINATED**

**SIG SAUER, INC**

72 Pease Boulevard  
Newington, NH 03801 USA

19861 SW 95th Avenue  
Portland, OR 97062

**SIG SAUER**  
when it counts



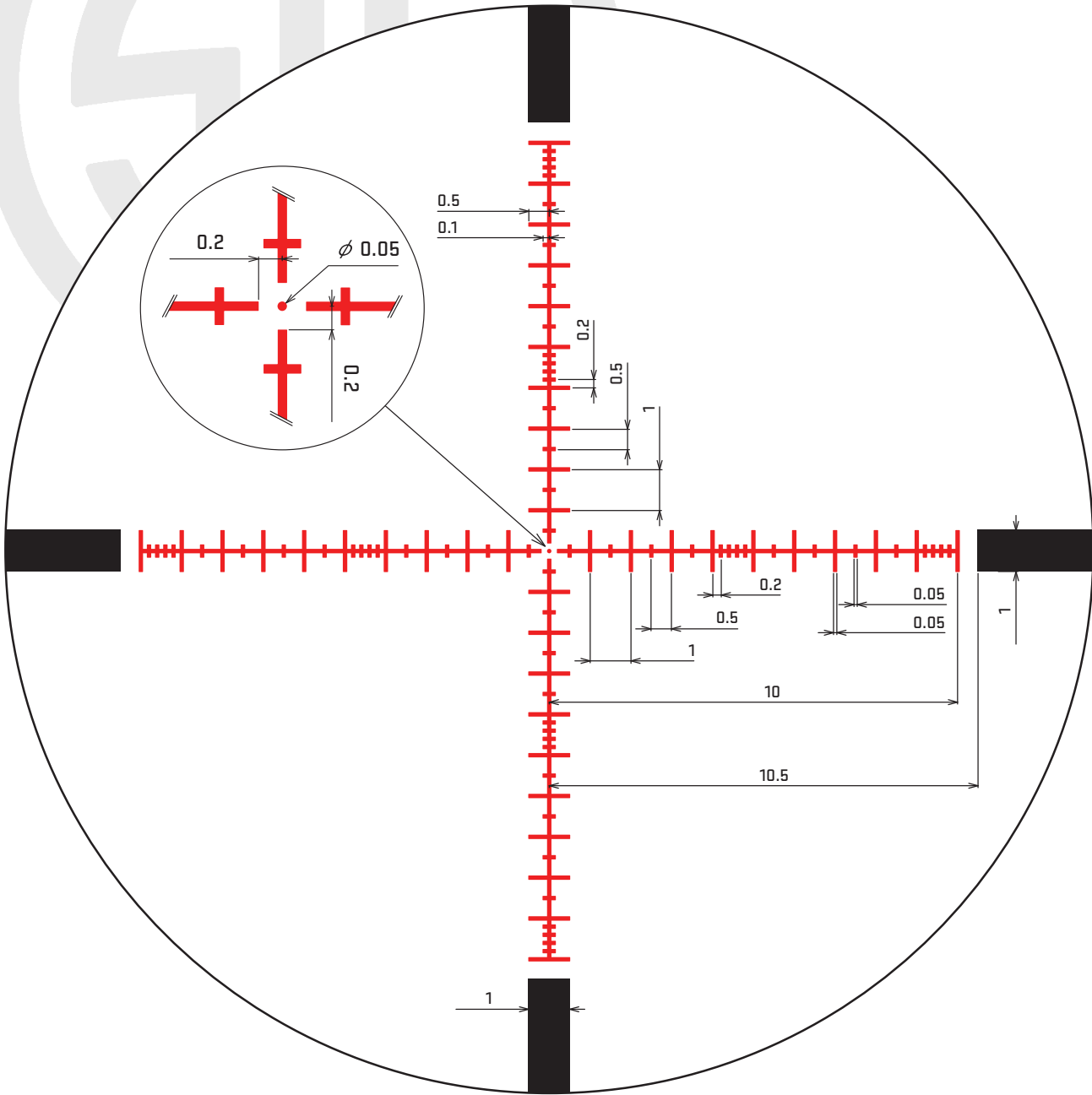




ELECTRO-OPTICS  
**RETICLES**

**TANGO6** 3-18x44mm **FFP**  
MRAD MILLING RETICLE

**SPECS**



**TANGO6** 3-18x44mm **FFP**  
**MRAD MILLING RETICLE**

**DIMENSION: MRAD**

**RED PATTERN IS ILLUMINATED**

**BLACK PATTERN IS NOT ILLUMINATED**

**SIG SAUER, INC**  
 72 Pease Boulevard  
 Newington, NH 03801 USA

19861 SW 95th Avenue  
 Portland, OR 97062

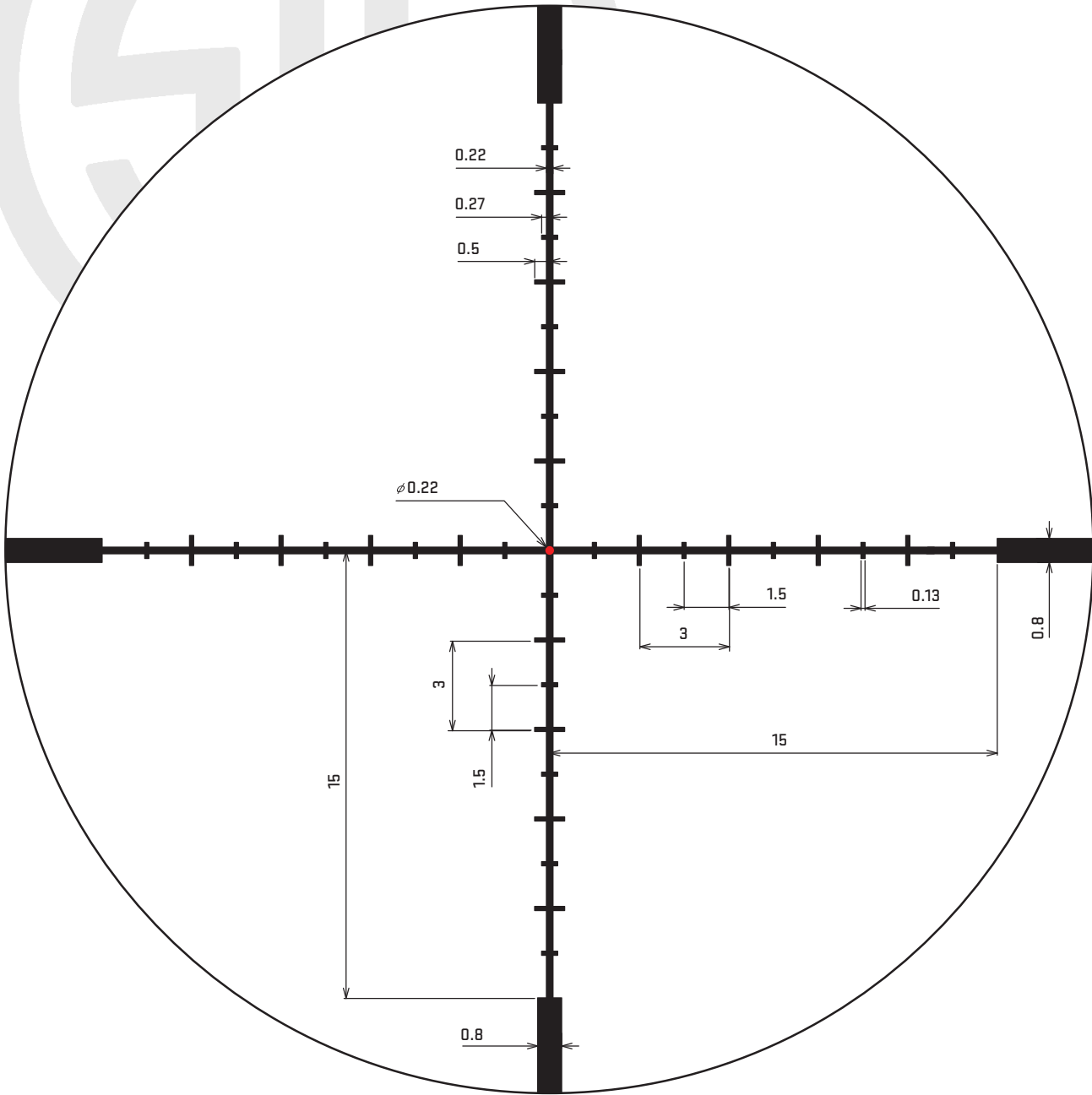
**SIG SAUER**  
 when it counts



ELECTRO-OPTICS  
**RETICLES**

**TANGO6** 3-18x44mm SFP  
HELLFIRE MOA MILLING RETICLE

**SPECS**



# **TANGO6** 3-18x44mm SFP **HELLFIRE MOA MILLING RETICLE**

**DIMENSION:** MOA ON HIGH POWER

**RED PATTERN IS ILLUMINATED**

**BLACK PATTERN IS NOT ILLUMINATED**

**SIG SAUER, INC**

72 Pease Boulevard  
Newington, NH 03801 USA

19861 SW 95th Avenue  
Portland, OR 97062

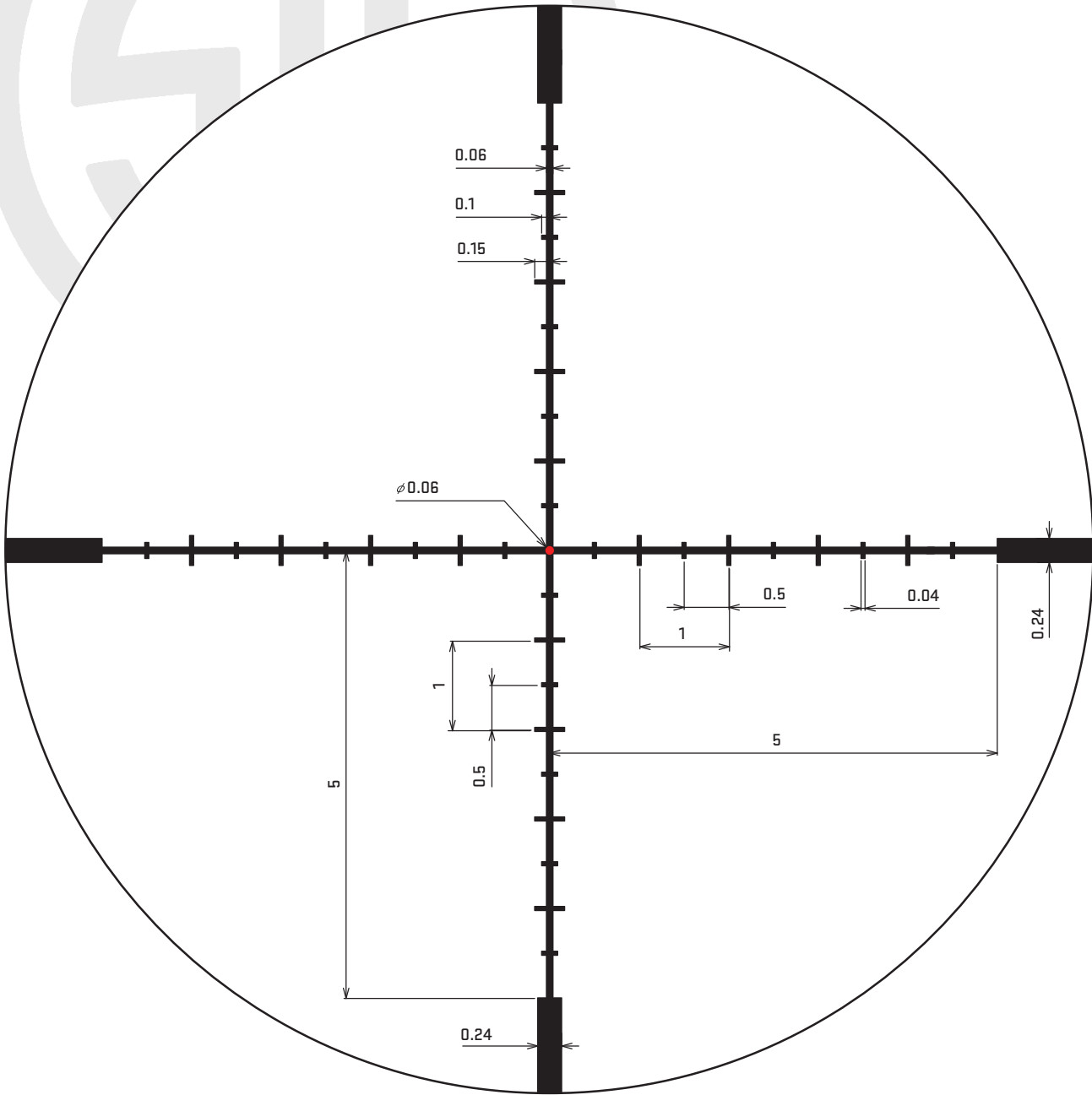
**SIG SAUER**  
when it counts



ELECTRO-OPTICS  
**RETICLES**

**TANGO6** 3-18x44mm SFP  
HELLFIRE MRAD MILLING RETICLE

**SPECS**



# **TANGO6** 3-18x44mm SFP **HELLFIRE MRAD MILLING RETICLE**

**DIMENSION: MRAD ON HIGH POWER**

**RED PATTERN IS ILLUMINATED**

**BLACK PATTERN IS NOT ILLUMINATED**

**SIG SAUER, INC**

72 Pease Boulevard  
Newington, NH 03801 USA

19861 SW 95th Avenue  
Portland, OR 97062

**SIG SAUER**  
when it counts

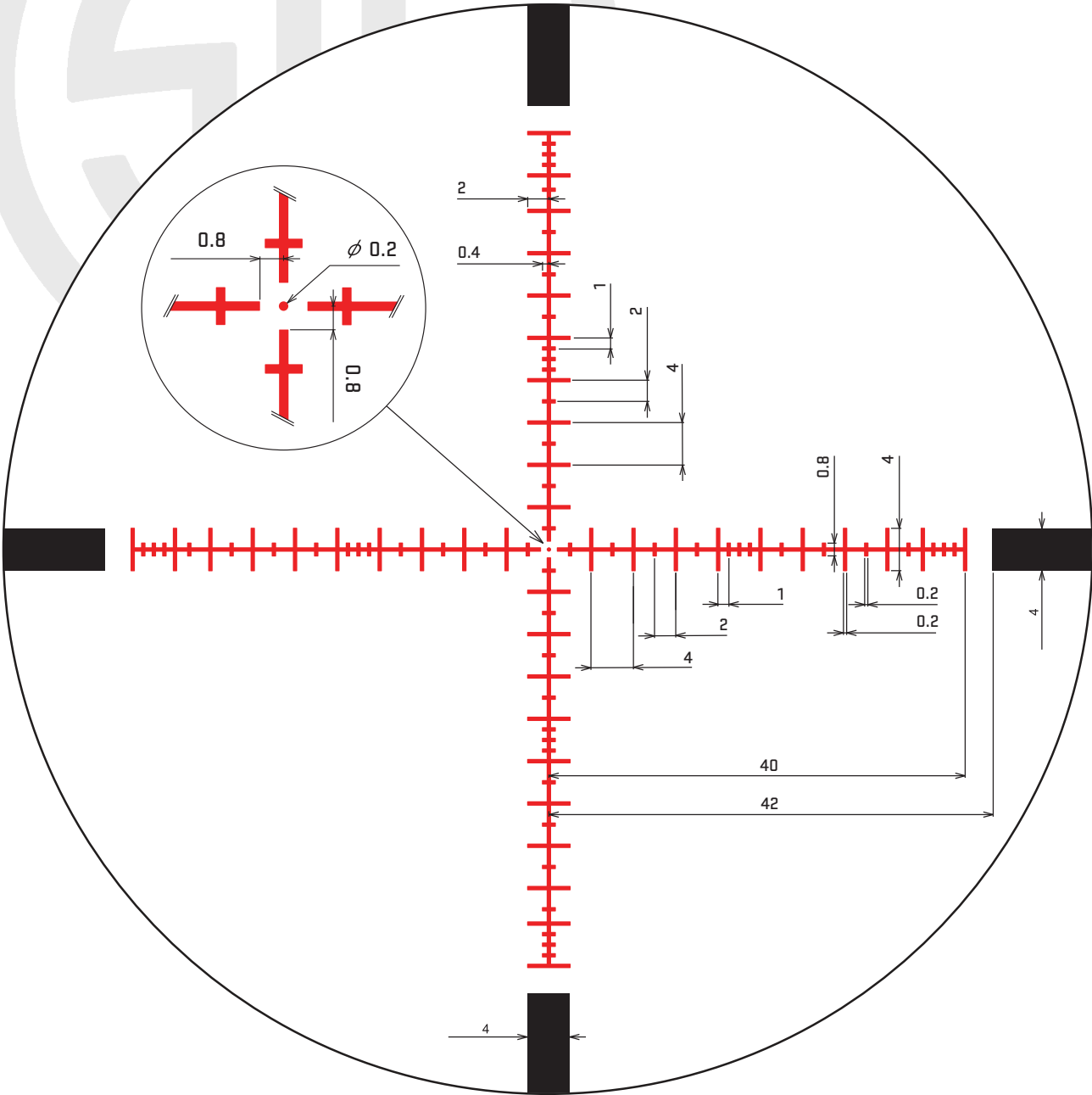


ELECTRO-OPTICS  
**RETICLES**

**TANGO6** 5-30x56mm  
MOA MILLING RETICLE



**SPECS**



**TANGO6** 5-30x56mm FFP  
**MOA MILLING RETICLE**

**DIMENSION: MOA**

**RED PATTERN IS ILLUMINATED**

**BLACK PATTERN IS NOT ILLUMINATED**

**SIG SAUER, INC**  
 72 Pease Boulevard  
 Newington, NH 03801 USA

19861 SW 95th Avenue  
 Portland, OR 97062

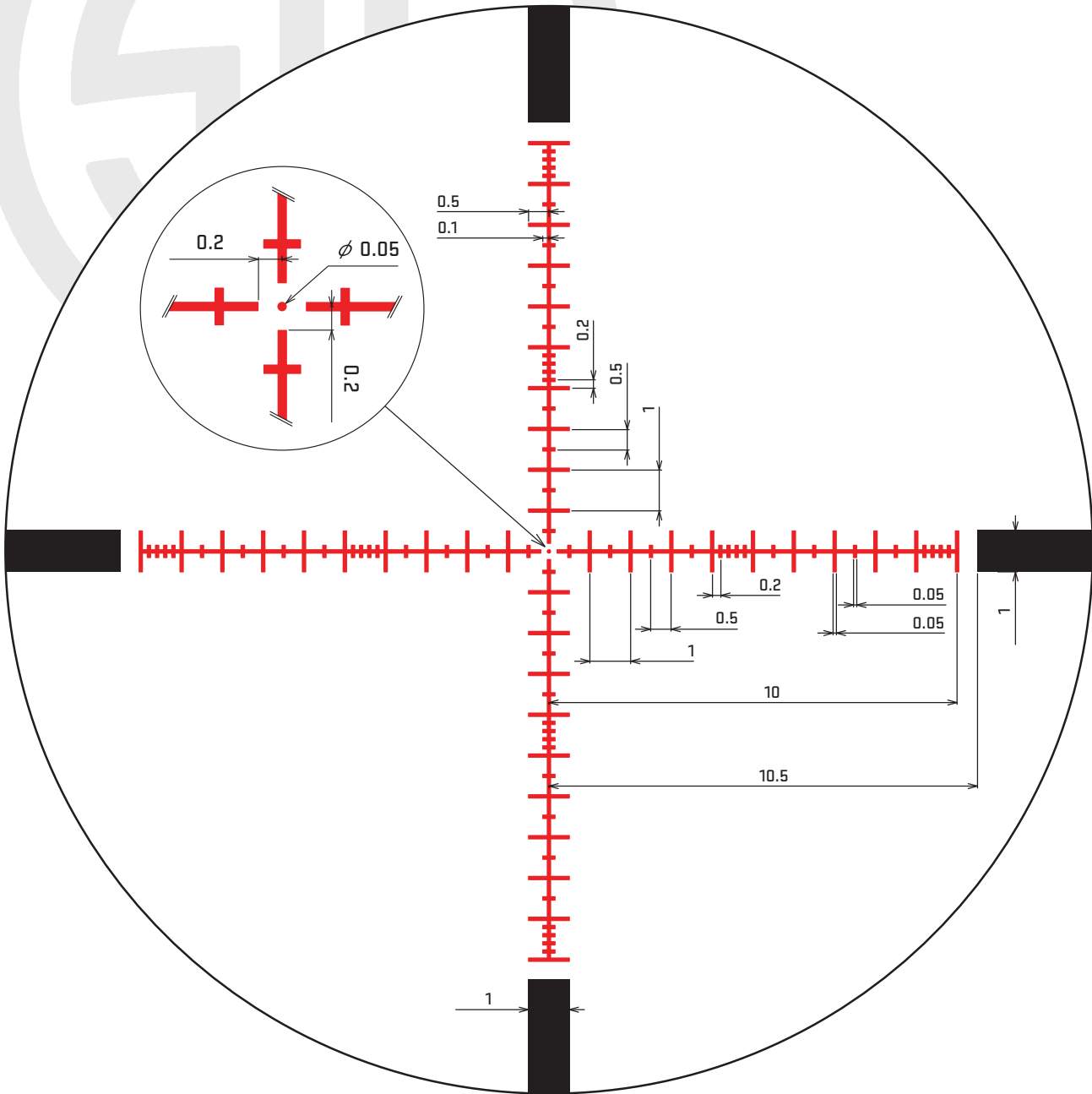
**SIG SAUER**  
 when it counts



ELECTRO-OPTICS  
**RETICLES**

**TANGO6** 5-30x56mm **FFP**  
MRAD MILLING RETICLE

**SPECS**



**TANGO6** 5-30x56mm **FFP**  
**MRAD MILLING RETICLE**

**DIMENSION: MRAD**

**RED PATTERN IS ILLUMINATED**

**BLACK PATTERN IS NOT ILLUMINATED**

**SIG SAUER, INC**  
 72 Pease Boulevard 19861 SW 95th Avenue  
 Newington, NH 03801 USA Portland, OR 97062

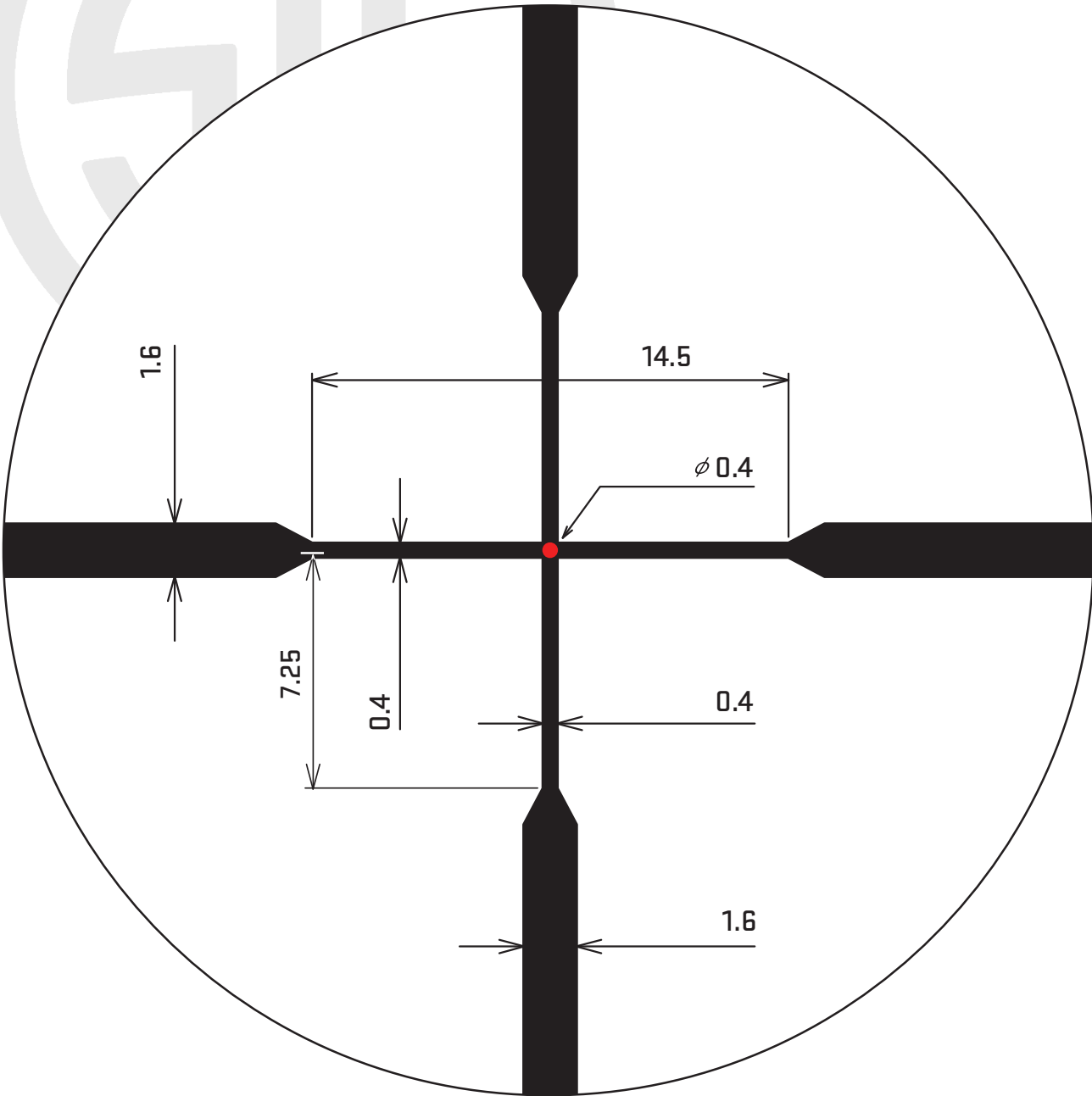
**SIG SAUER**  
 when it counts



ELECTRO-OPTICS  
**RETICLES**

**WHISKEY5** 1-5x20mm  
HELLFIRE QUADPLEX

**SPECS**



# WHISKEY5 1-5x20mm HELLFIRE QUADPLEX

**DIMENSION:** MOA ON HIGH POWER

RED PATTERN IS ILLUMINATED

BLACK PATTERN IS NOT ILLUMINATED

SIG SAUER, INC

72 Pease Boulevard  
Newington, NH 03801 USA

19861 SW 95th Avenue  
Portland, OR 97062

**SIG SAUER**  
when it counts



ELECTRO-OPTICS  
**RETICLES**

**WHISKEY 5** 1-5x20mm  
HELLFIRE CIRCLEPLEX

**SPECS**



# WHISKEY 5 1-5x20mm HELLFIRE CIRCLEPLEX

**DIMENSION: MOA ON HIGH POWER**

**RED PATTERN IS ILLUMINATED**

**BLACK PATTERN IS NOT ILLUMINATED**

**SIG SAUER, INC**

72 Pease Boulevard  
Newington, NH 03801 USA

19861 SW 95th Avenue  
Portland, OR 97062

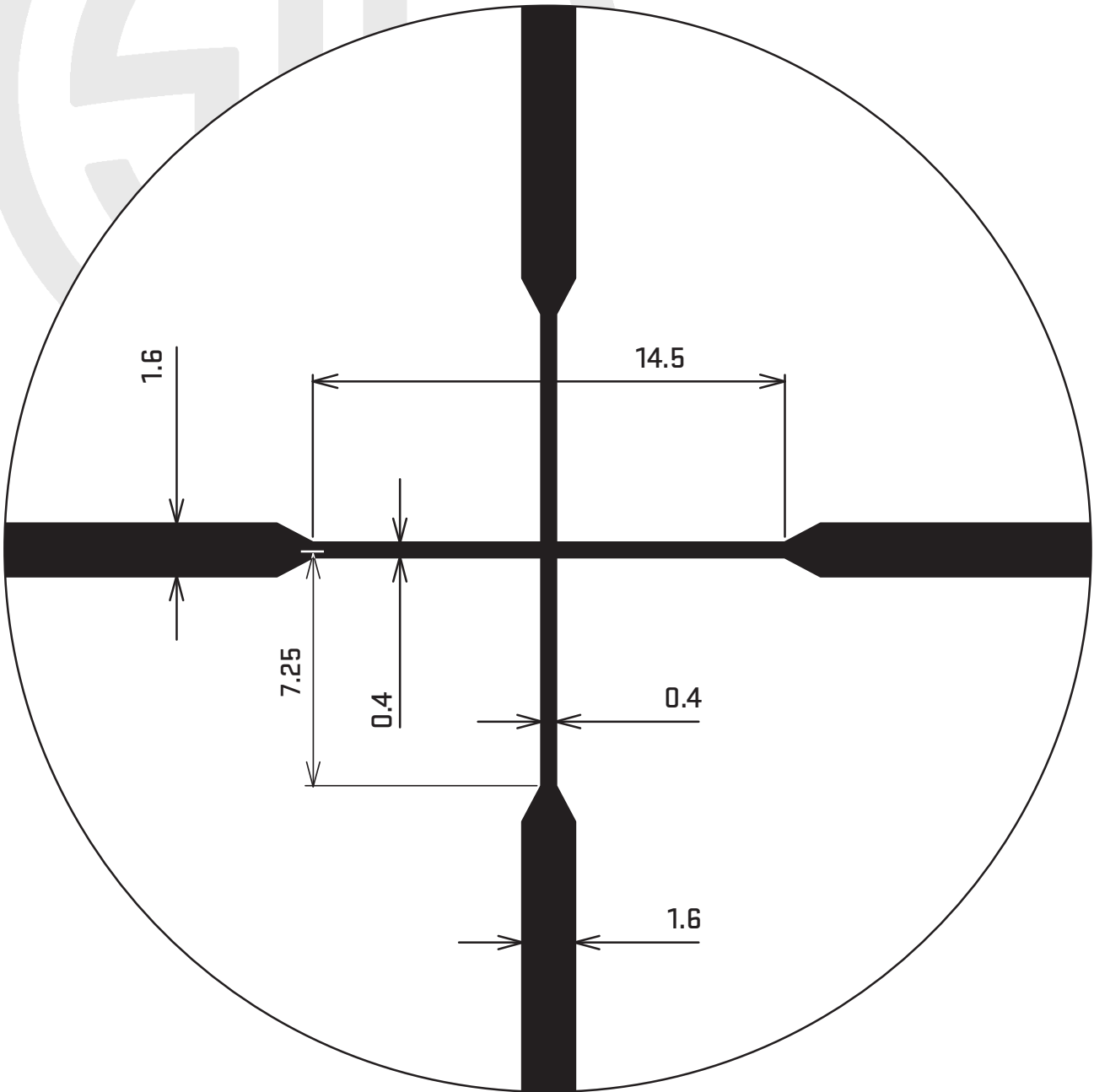
**SIG SAUER**  
when it counts



ELECTRO-OPTICS  
**RETICLES**

**WHISKEY5** 1-5x20mm  
QUADPLEX

**SPECS**



# WHISKEY5 1-5x20mm QUADPLEX

DIMENSION: MOA ON HIGH POWER

BLACK PATTERN IS NOT ILLUMINATED

SIG SAUER, INC

72 Pease Boulevard  
Newington, NH 03801 USA

19861 SW 95th Avenue  
Portland, OR 97062

**SIG SAUER**  
when it counts

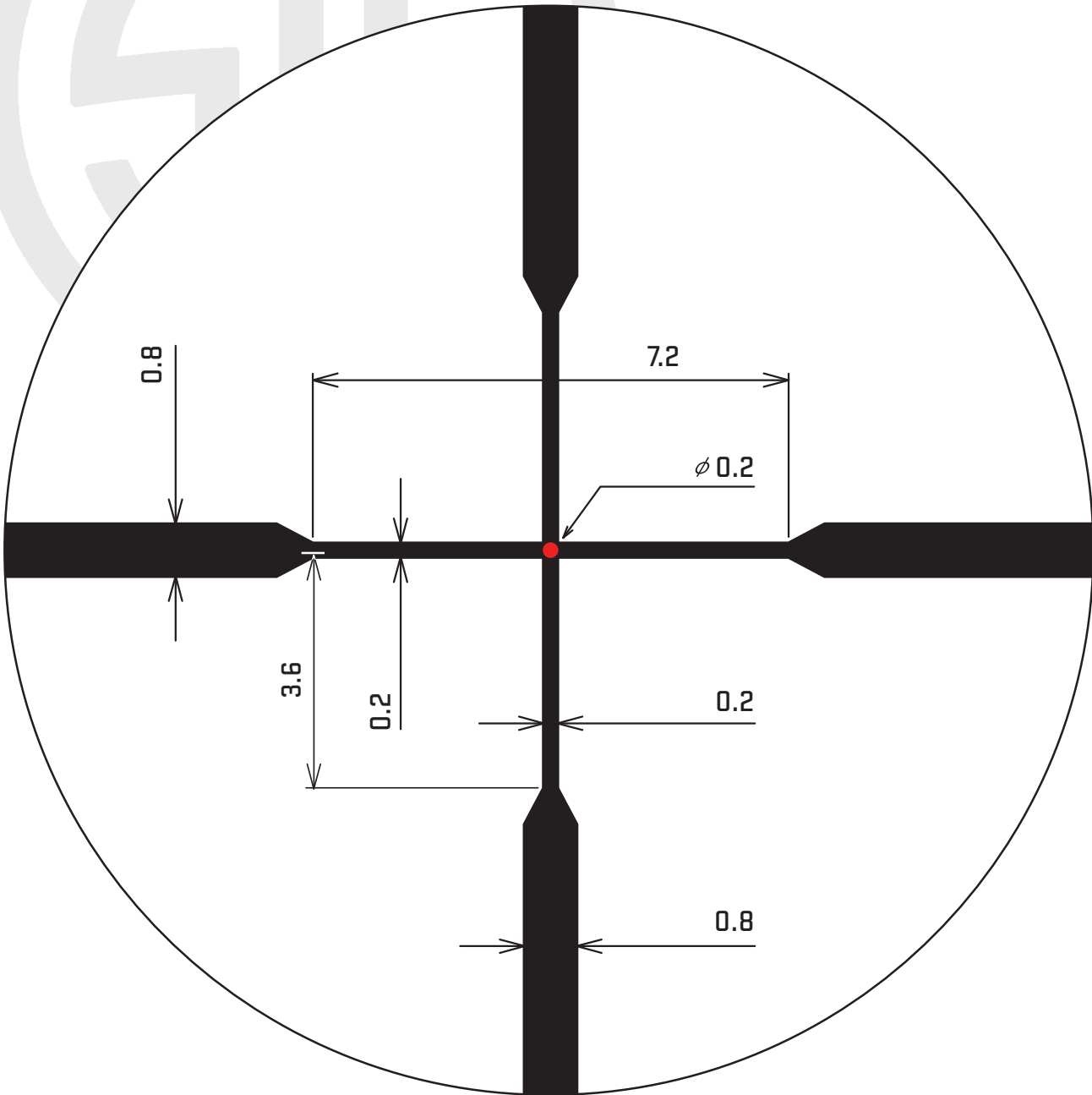




ELECTRO-OPTICS  
**RETICLES**

**WHISKEY 5** 2-10x42mm  
HELLFIRE QUADPLEX

**SPECS**



# WHISKEY 5 2-10x42mm HELLFIRE QUADPLEX

**DIMENSION: MOA ON HIGH POWER**

**RED PATTERN IS ILLUMINATED**

**BLACK PATTERN IS NOT ILLUMINATED**

SIG SAUER, INC  
72 Pease Boulevard  
Newington, NH 03801 USA

19861 SW 95th Avenue  
Portland, OR 97062

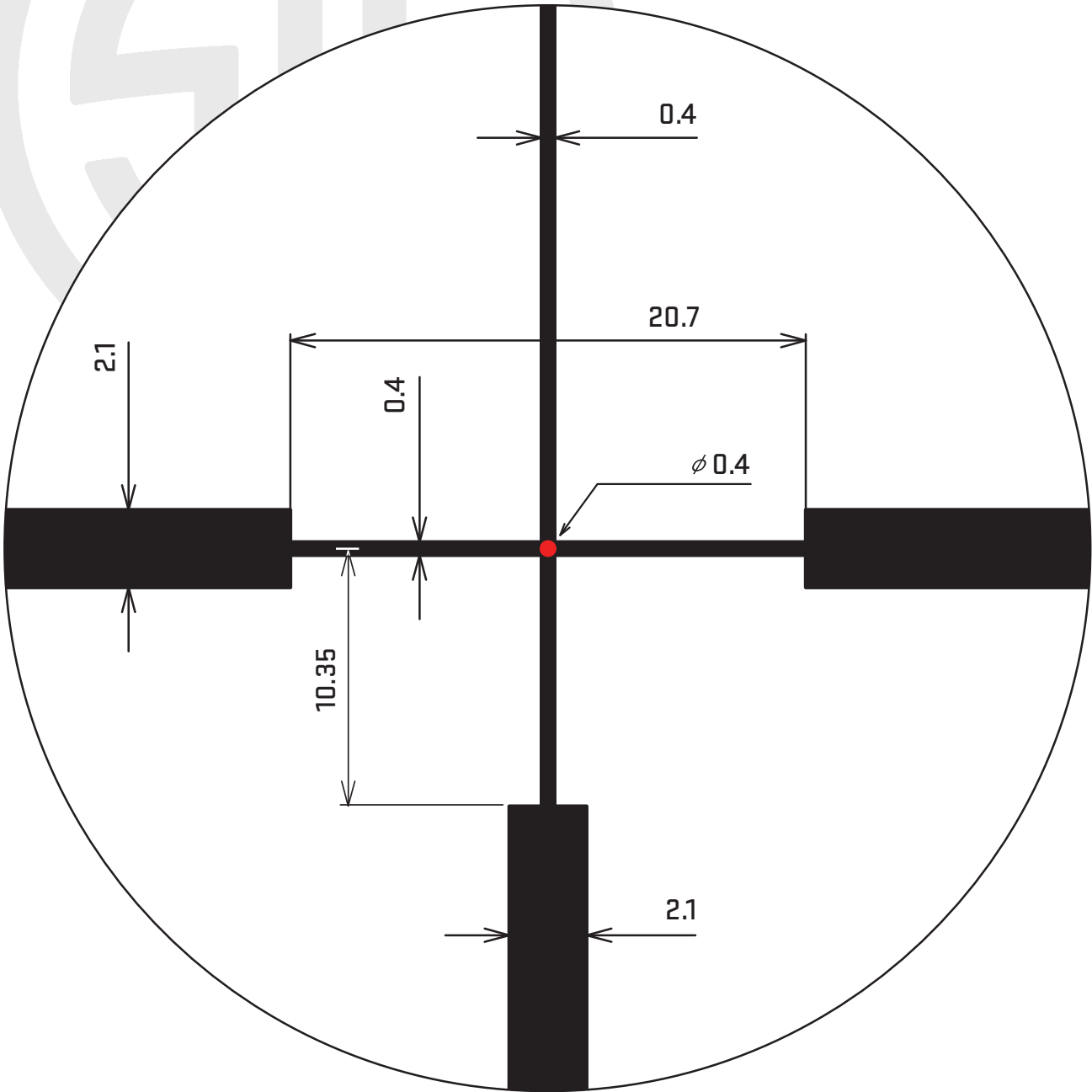
**SIG SAUER**  
when it counts



ELECTRO-OPTICS  
**RETICLES**

**WHISKEY 5** 2-10x42mm  
HELLFIRE TRIPLEX

**SPECS**



# WHISKEY 5 2-10x42mm HELLFIRE TRIPLEX

**DIMENSION: MOA ON HIGH POWER**

**RED PATTERN IS ILLUMINATED**

**BLACK PATTERN IS NOT ILLUMINATED**

**SIG SAUER, INC**

72 Pease Boulevard  
Newington, NH 03801 USA

19861 SW 95th Avenue  
Portland, OR 97062

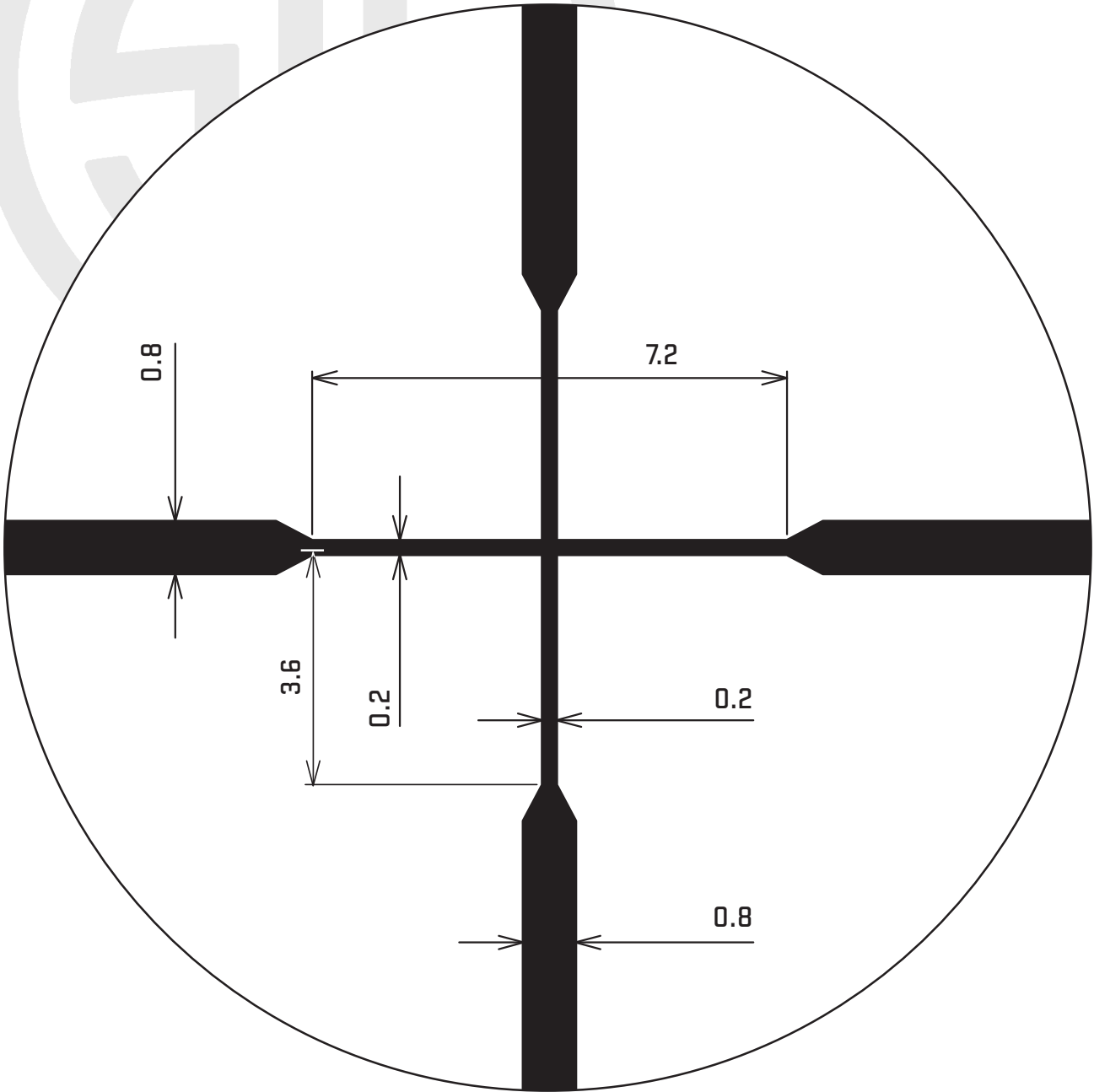
**SIG SAUER**  
when it counts



ELECTRO-OPTICS  
**RETICLES**

**WHISKEY 5** 2-10x42mm  
QUADPLEX

**SPECS**



# WHISKEY 5 2-10x42mm QUADPLEX

DIMENSION: MOA ON HIGH POWER

BLACK PATTERN IS NOT ILLUMINATED

SIG SAUER, INC

72 Pease Boulevard  
Newington, NH 03801 USA

19861 SW 95th Avenue  
Portland, OR 97062

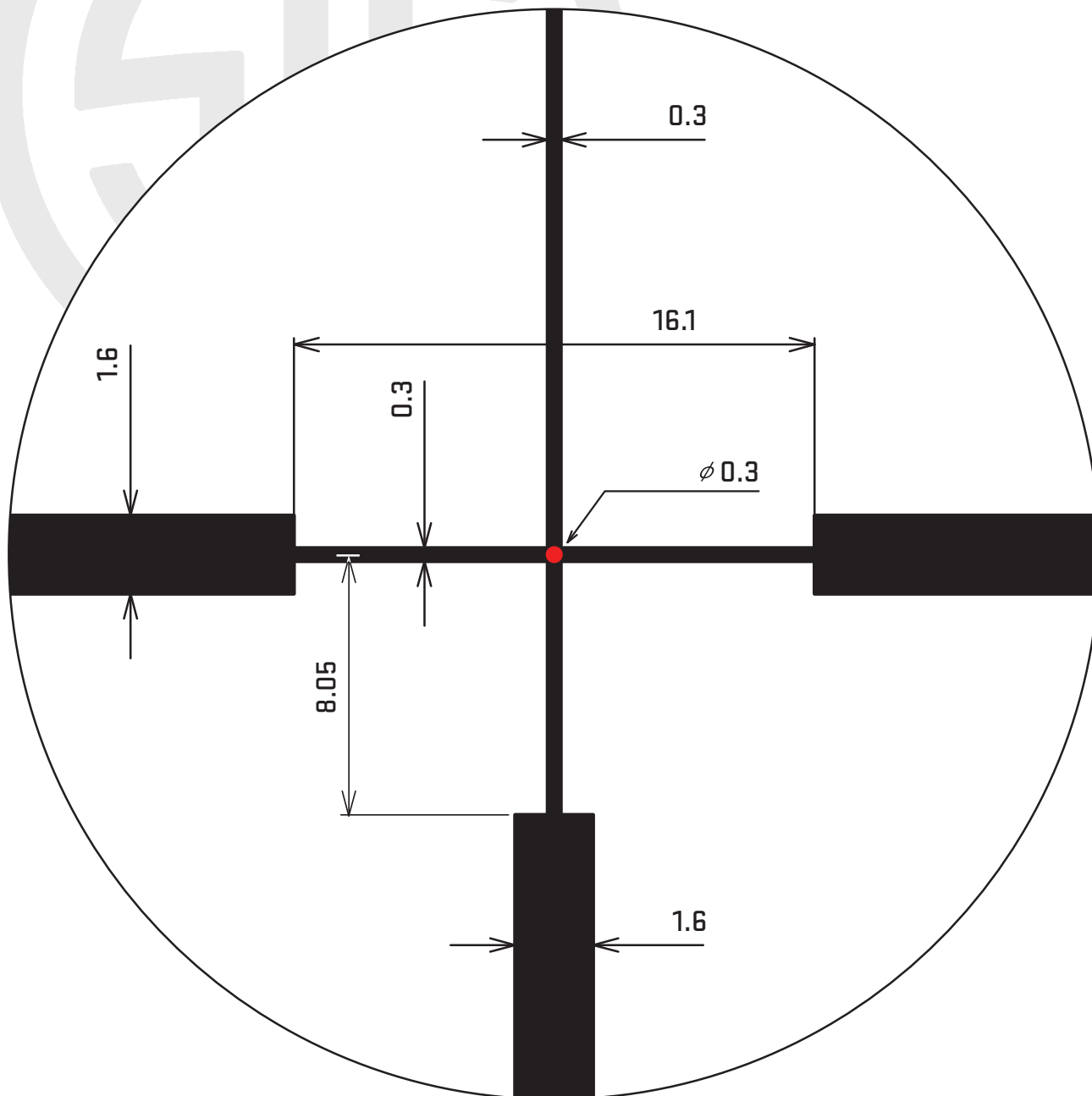
**SIG SAUER**  
when it counts



ELECTRO-OPTICS  
**RETICLES**

**WHISKEY5** 2.4-12x56mm  
HELLFIRE TRIPLEX

**SPECS**



# WHISKEY5 2.4-12x56mm HELLFIRE TRIPLEX

**DIMENSION: MOA ON HIGH POWER**

**RED PATTERN IS ILLUMINATED**

**BLACK PATTERN IS NOT ILLUMINATED**

**SIG SAUER, INC**

72 Pease Boulevard  
Newington, NH 03801 USA

19861 SW 95th Avenue  
Portland, OR 97062

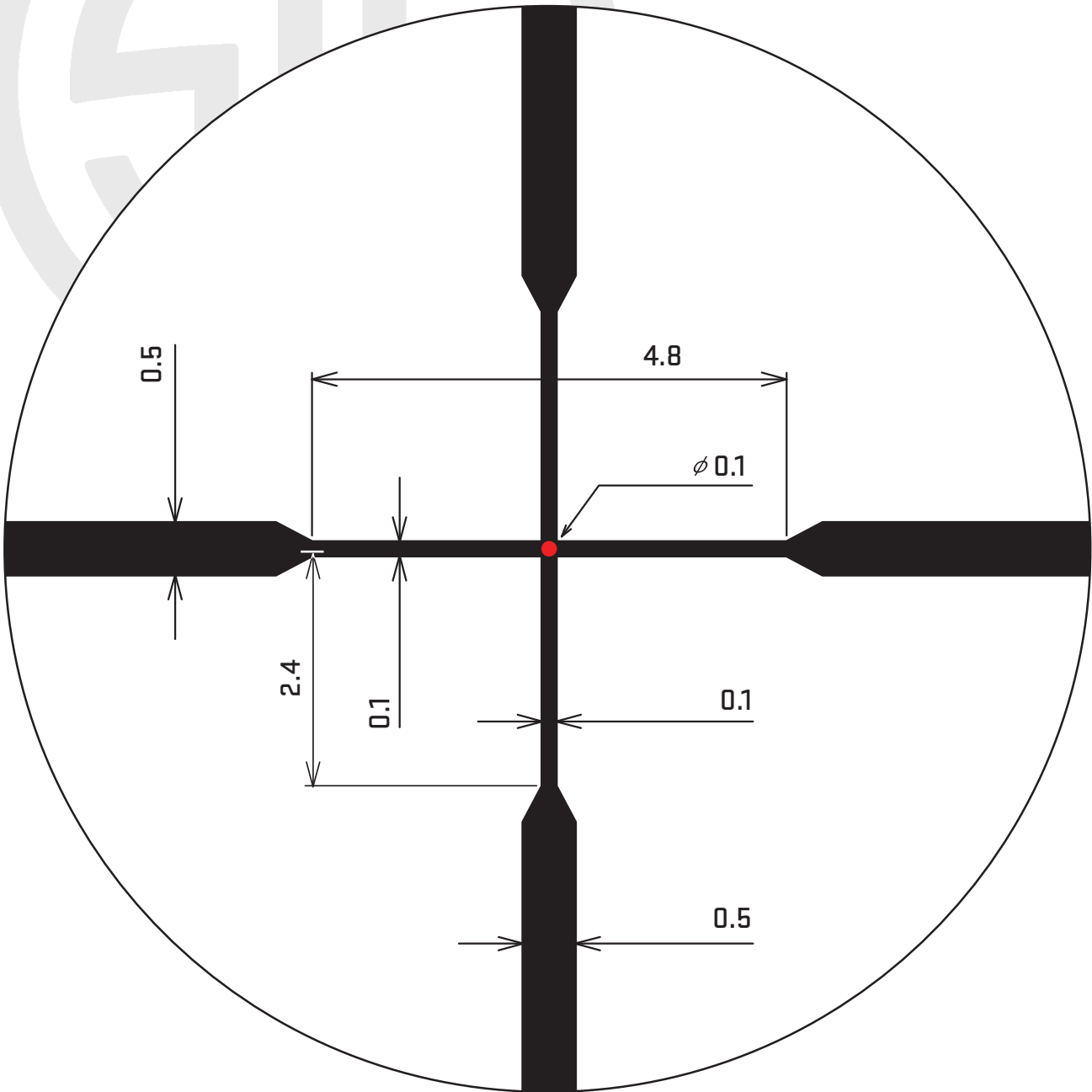
**SIG SAUER**  
when it counts



ELECTRO-OPTICS  
**RETICLES**

**WHISKEY5** 3-15x44mm  
HELLFIRE QUADPLEX

**SPECS**



# WHISKEY5 3-15x44mm HELLFIRE QUADPLEX

**DIMENSION:** MOA ON HIGH POWER

RED PATTERN IS ILLUMINATED

BLACK PATTERN IS NOT ILLUMINATED

SIG SAUER, INC  
72 Pease Boulevard  
Newington, NH 03801 USA

19861 SW 95th Avenue  
Portland, OR 97062

**SIG SAUER**  
when it counts

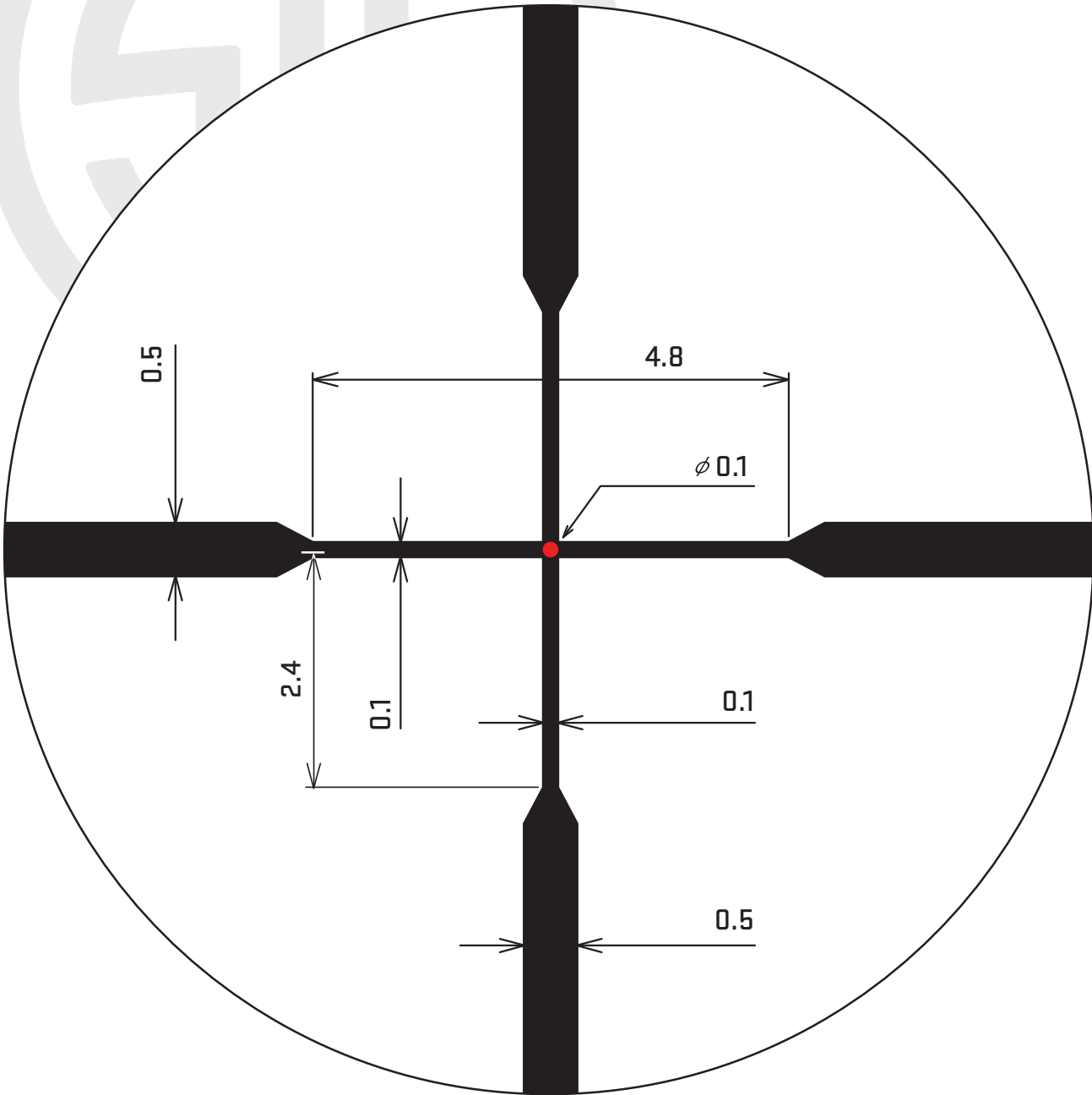




ELECTRO-OPTICS  
**RETICLES**

**WHISKEY5** 3-15x52mm  
HELLFIRE QUADPLEX

**SPECS**



# WHISKEY5 3-15x52mm HELLFIRE QUADPLEX

**DIMENSION: MOA ON HIGH POWER**

**RED PATTERN IS ILLUMINATED**

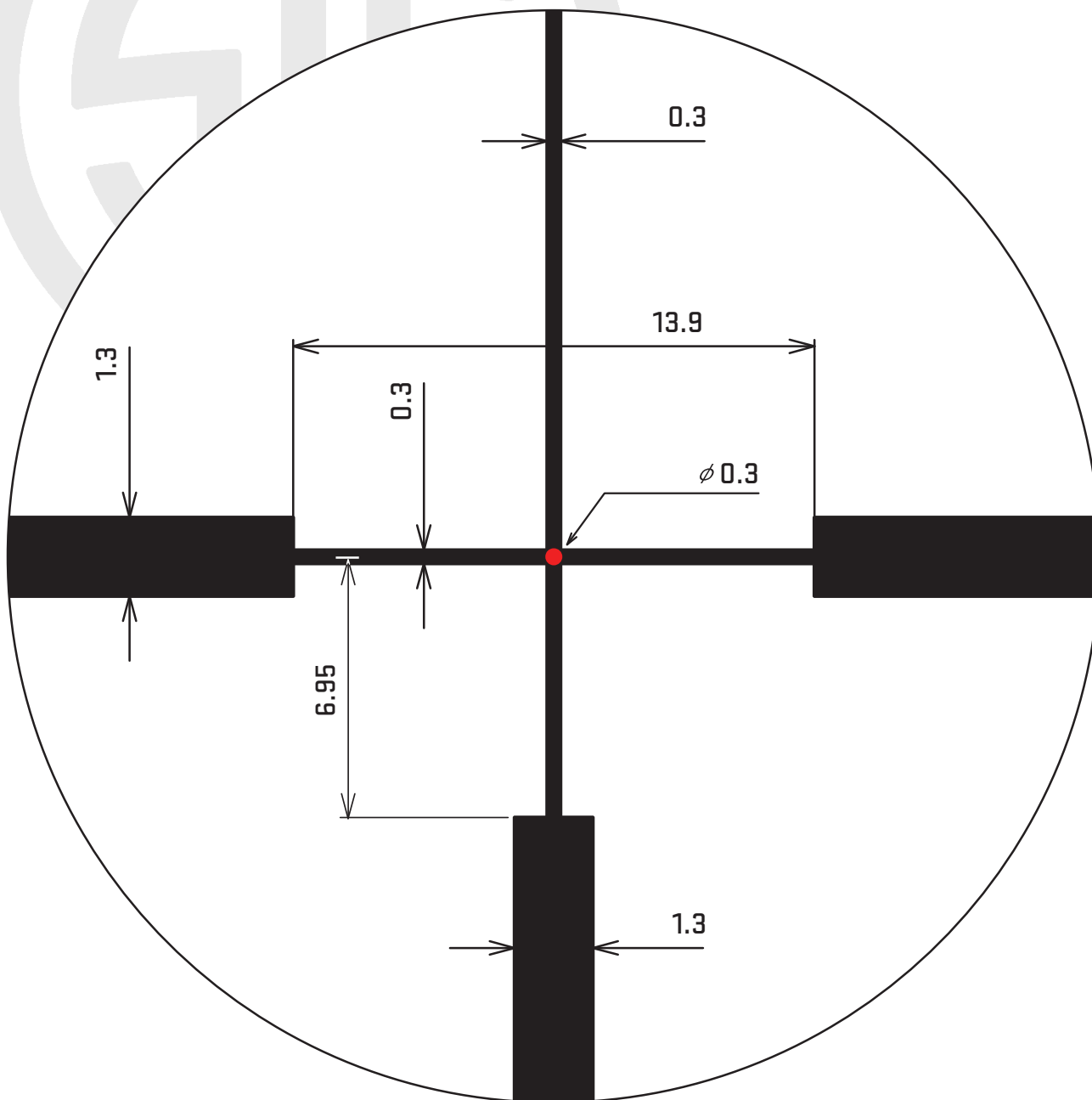
**BLACK PATTERN IS NOT ILLUMINATED**



ELECTRO-OPTICS  
**RETICLES**

**WHISKEY 5** 3-15x52mm  
HELLFIRE TRIPLEX

**SPECS**



# WHISKEY 5 3-15x52mm HELLFIRE TRIPLEX

**DIMENSION: MOA ON HIGH POWER**

**RED PATTERN IS ILLUMINATED**

**BLACK PATTERN IS NOT ILLUMINATED**

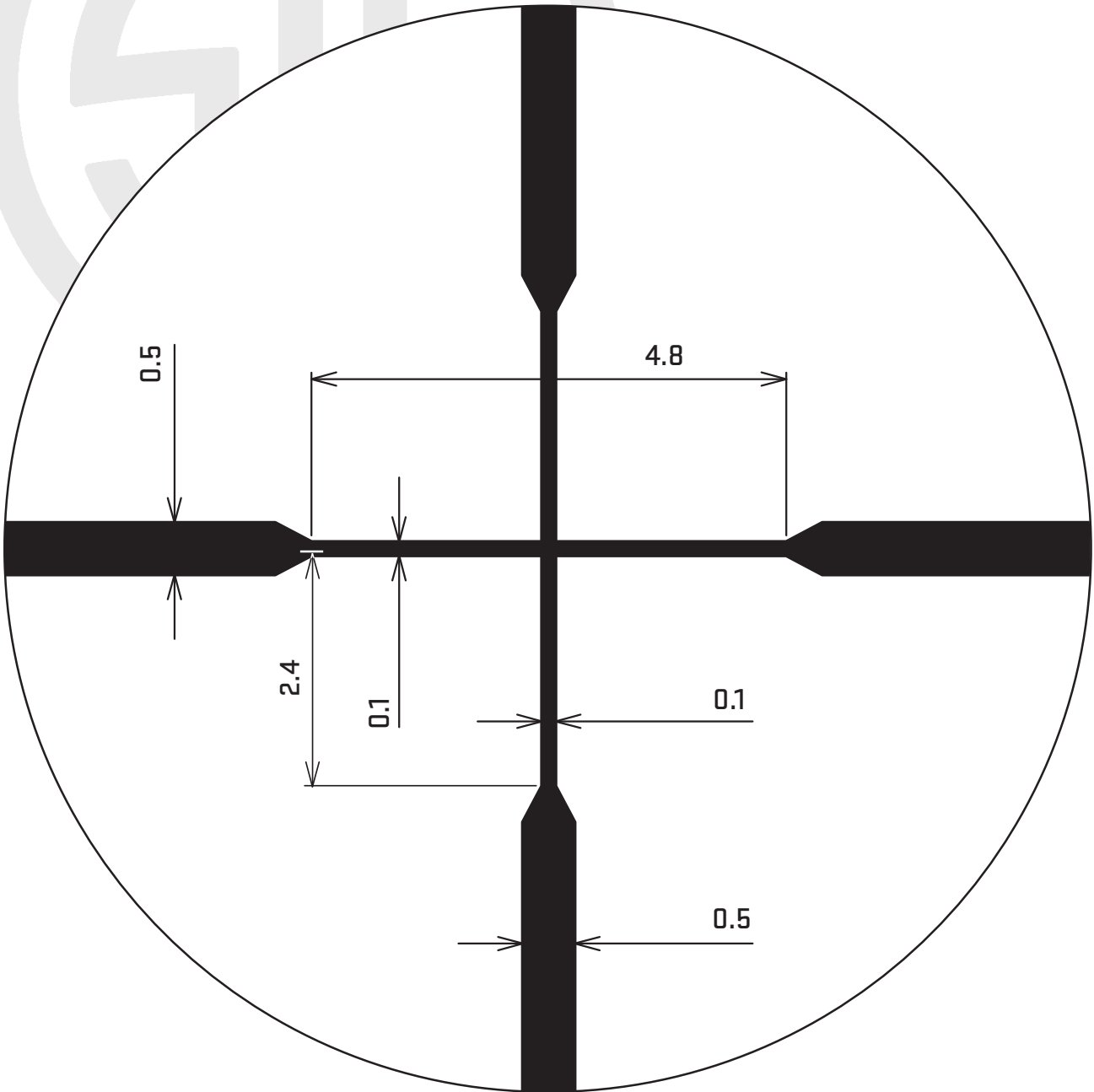




ELECTRO-OPTICS  
**RETICLES**

**WHISKEY5** 3-15x44mm  
QUADPLEX

**SPECS**



# **WHISKEY5** 3-15x44mm **QUADPLEX**

**DIMENSION: MOA ON HIGH POWER**

**BLACK PATTERN IS NOT ILLUMINATED**

**SIG SAUER, INC**

72 Pease Boulevard  
Newington, NH 03801 USA

19861 SW 95th Avenue  
Portland, OR 97062

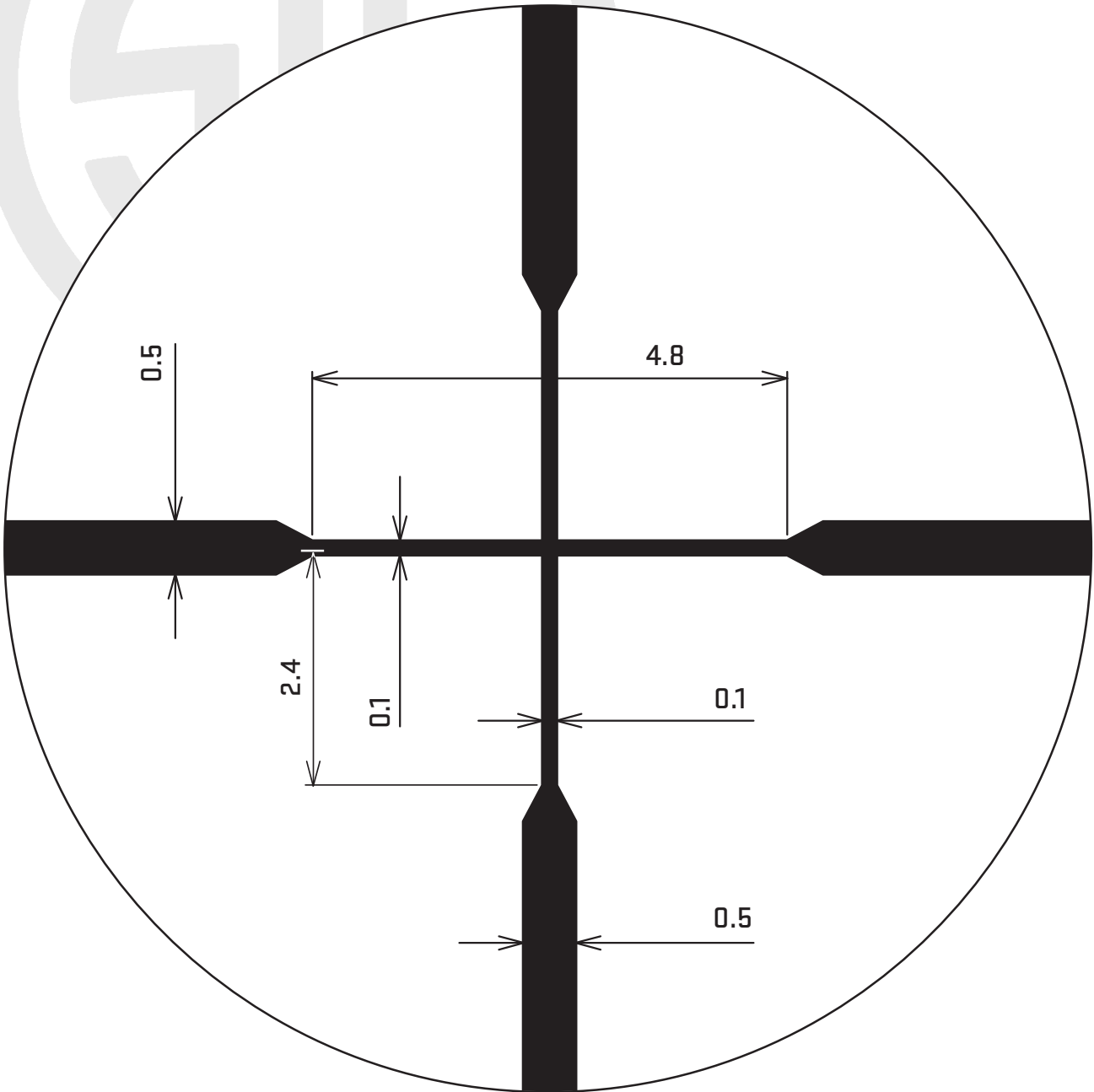
**SIG SAUER**  
when it counts



ELECTRO-OPTICS  
**RETICLES**

**WHISKEY 5** 3-15x52mm  
QUADPLEX

**SPECS**



# WHISKEY 5 3-15x52mm QUADPLEX

**DIMENSION: MOA ON HIGH POWER**

**BLACK PATTERN IS NOT ILLUMINATED**

SIG SAUER, INC  
72 Pease Boulevard  
Newington, NH 03801 USA

19861 SW 95th Avenue  
Portland, OR 97062

**SIG SAUER**  
when it counts

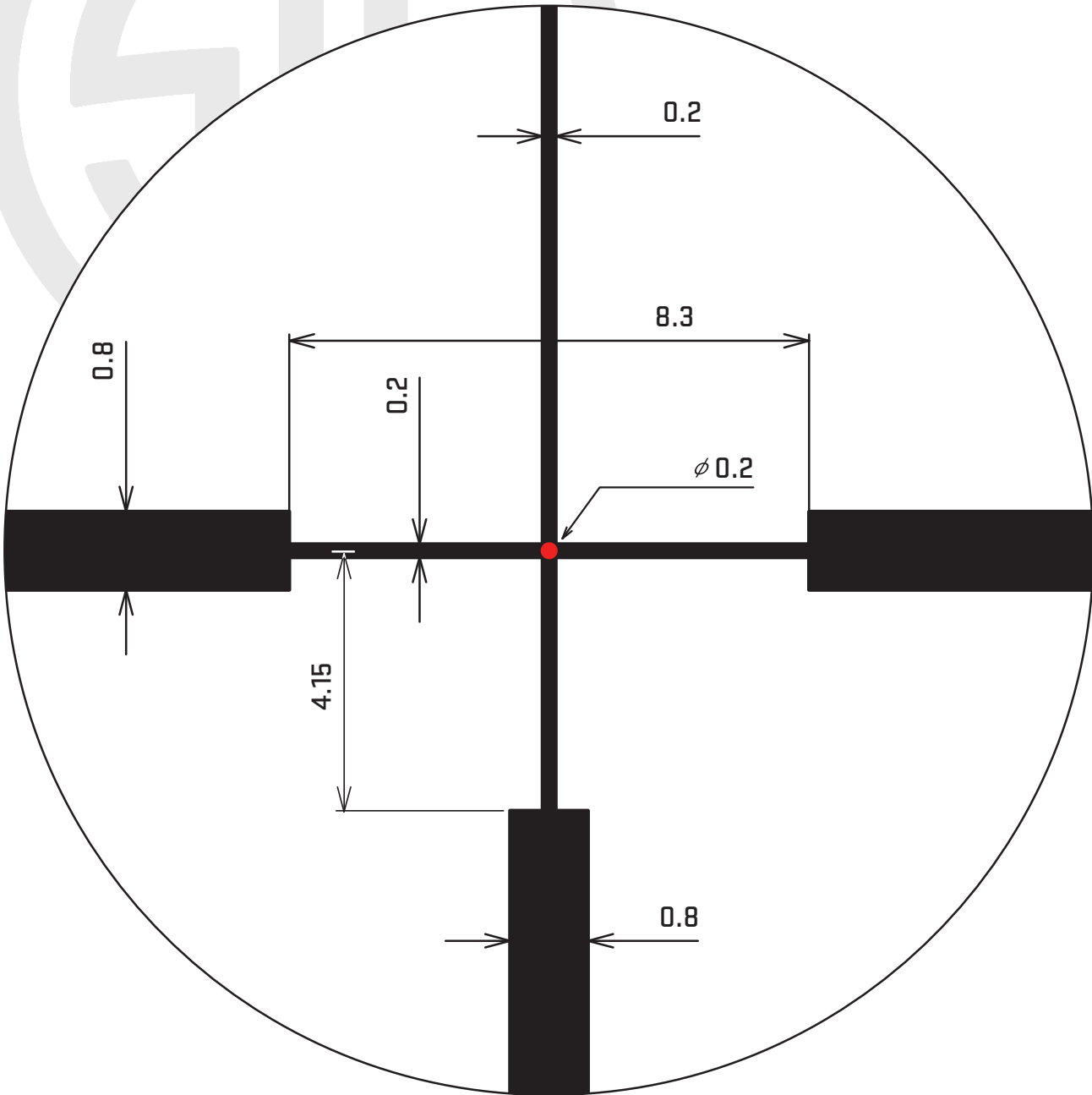




ELECTRO-OPTICS  
**RETICLES**

**WHISKEY 5** 5-25x52mm  
HELLFIRE TRIPLEX

**SPECS**



# WHISKEY 5 5-25x52mm HELLFIRE TRIPLEX

**DIMENSION:** MOA ON HIGH POWER

RED PATTERN IS ILLUMINATED

BLACK PATTERN IS NOT ILLUMINATED

SIG SAUER, INC

72 Pease Boulevard  
Newington, NH 03801 USA

19861 SW 95th Avenue  
Portland, OR 97062

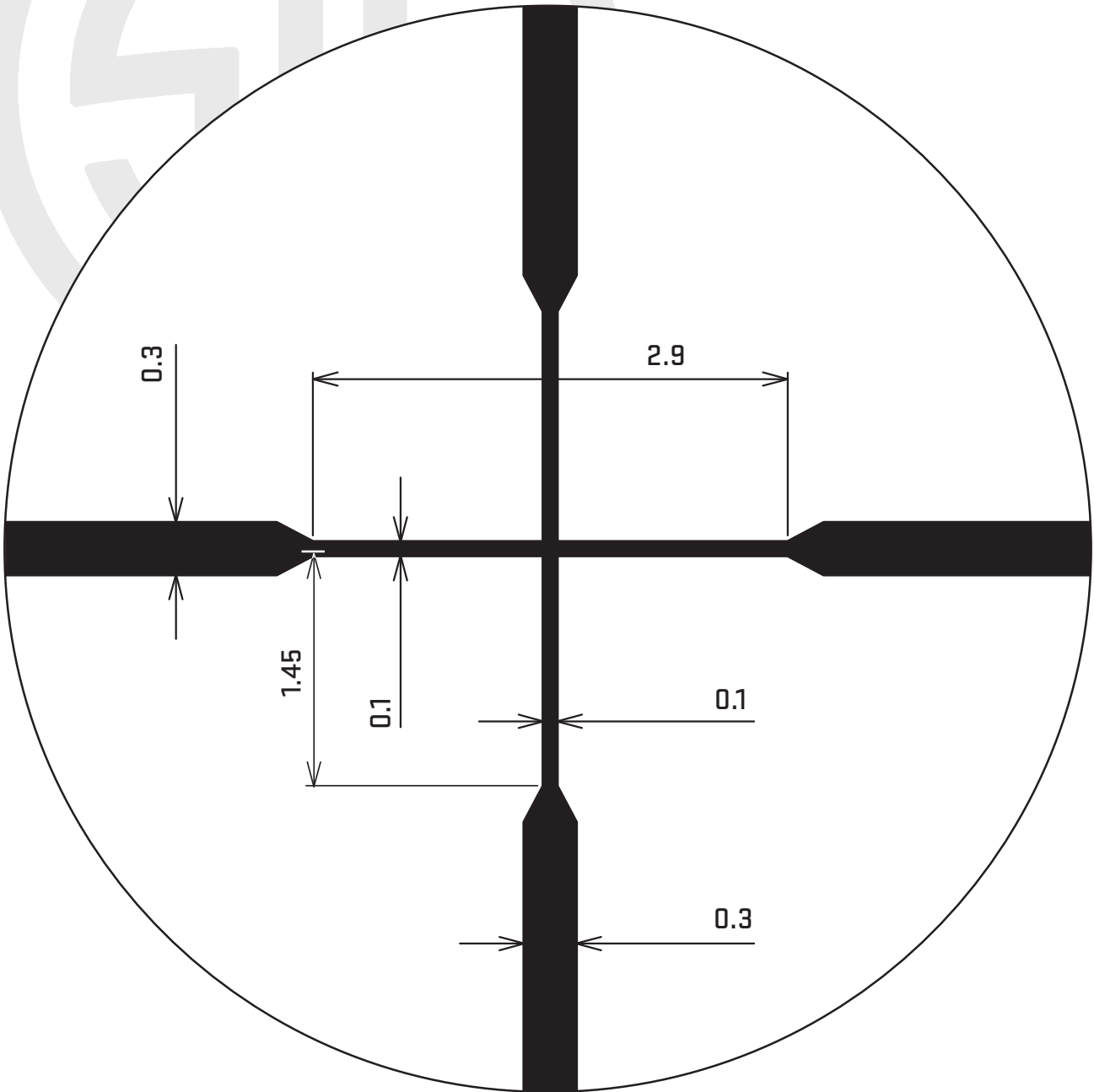
**SIG SAUER**  
when it counts



ELECTRO-OPTICS  
**RETICLES**

**WHISKEY5** 5-25x52mm  
QUADPLEX

**SPECS**



# WHISKEY5 5-25x52mm QUADPLEX

**DIMENSION: MOA ON HIGH POWER**

**BLACK PATTERN IS NOT ILLUMINATED**

**SIG SAUER, INC**

72 Pease Boulevard  
Newington, NH 03801 USA

19861 SW 95th Avenue  
Portland, OR 97062

**SIG SAUER**  
when it counts